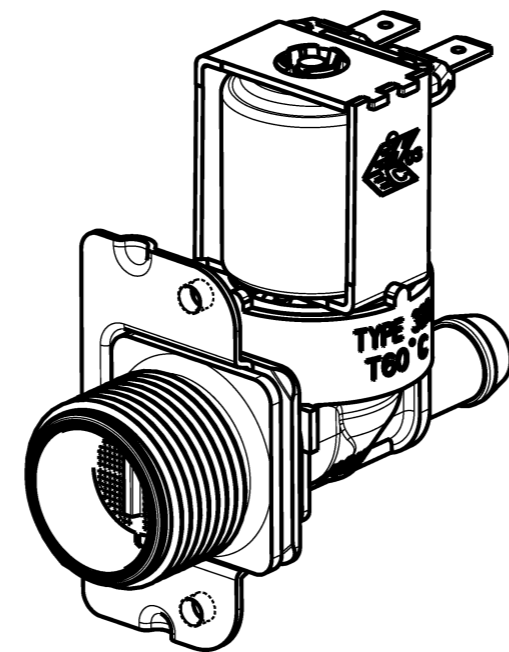
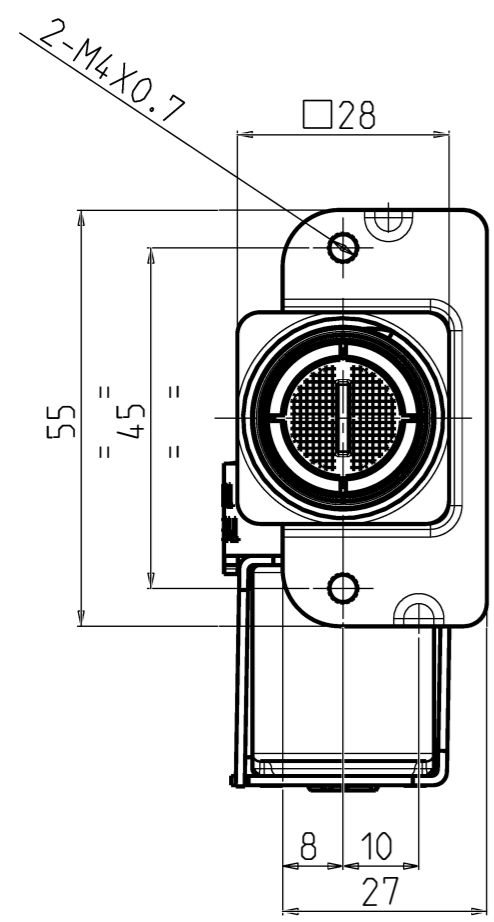


FLOW RATE DIAGRAM

REF	NOTE TO BE PRINTED WITH INDELIBLE INK
DATE	C - WeekDay/Year - SNLN
CODE	33290258
customer code	086010001

CHARACTERISTIC:
 1.176
 SOLENOID VALVE TESTED ACCORDING TO 1.176
 S 7144
 INSIDE MONTAGE APPROACH ACCORDING S 7144
 220/240V 50/60Hz
 RATED VOLTAGE:220/240V 50/60Hz



0577/10		00		2010.11.08		CLASSIFY		Zhang Shichen		Dario	
TOLLERANZE GEOMETRICHE E CARATTERISTICHE DI CONTROLLO						SECONDO NORMA TECNICA ELBI/BITRON 03.00.00					
GEOMETRIC TOLERANCE AND CONTROL CHARACTERISTICS SPEC.						ACCORDING TO ELBI/BITRON TECHNICAL SPECIFICATION 03.00.00					
UP TO 3±0.125		>3 TO 6±0.15		>6 TO 10±0.18		>10 TO 18±0.215		>18 TO 30±0.26		>30 TO 50±0.31	
>50 TO 80±0.37		>80 TO 120±0.435		>120 TO 180±0.5		>180 TO 250±0.575		>250 TO 315±0.65		OVER 315±0.7	
STAMPO/FIG. / MOLD/CAVITY											
DIMENSIONI, LUNGHEZZE E DIAMETRI (mm) SEC. UNI EN 20286 IT14 / DIMENSIONS, LENGTH AND DIAMETERS (mm) ACCORDING TO UNI EN 20286 IT14						CENTRO DI COMPETENZA / COMPETENCE CENTER					
PER LE CARATTERISTICHE DI PRODOTTO VEDERE SPEC. BITRON GECDR29/PRODUCT CHARACTERISTICS ACCORDING TO BITRON SPECIFICATIONS GECDR29						BITRON					
SCALA / SCALE		FORMATO/FORMAT		APPLICAZIONE / APPLICATION :				DATA / DATE		ENTE / DEPT.	
1.000		A3		SOLENOID VALVE				2010.11.08		Zhang Shichen	
Gruppo				MATERIALE E CODICE GREZZO / MATERIAL AND MATERIAL CODE				PESO NETTO/NET WEIGHT		VISTO / APPROVED	
										Dario	
				TRATTAMENTO / TREATMENT				SOSTITUISCE IL: / REPLACE :		ARCHIVIO O N°DISEGNO/ARCHIVE OR DRAWING N.	
				DENOMINAZIONE / DESCRIPTION				ASSEMBLY		IDENTIFICATIVO / IDENTIF.:	
										33290258	
										00	

p.A./ legge del presente disegno con divieto di riprodurlo o renderlo noto a terzi senza autorizzazione. All rights strictly reserved reproduction or issue to third parties in any form whatever is not permitted without written authority from proprietors.