



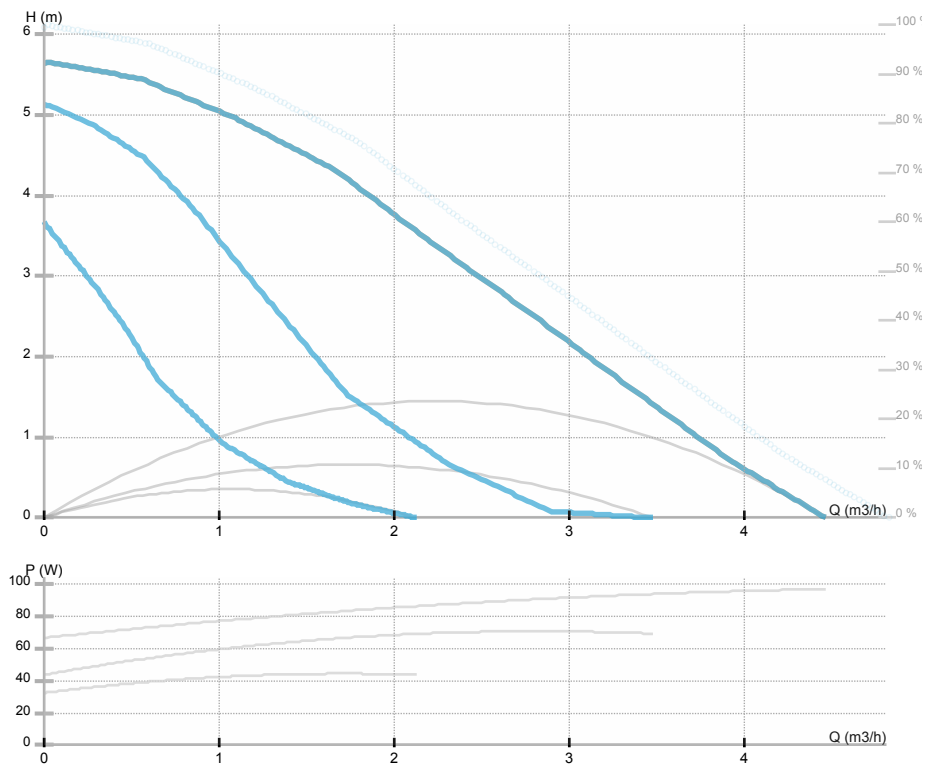
GHN 25/60-180 SANITARY

979521713SAN

GHN SANITARY/ Three speeds threaded pumps for circulation of sanitary water

GENERAL

Codigo producto	979521713SAN		
Product name	GHN 25/60-180 SANITARY		
Seal type			
Peso	2,60 kg		
H max	5.7 m	H min	0.0 m
Q max	4.4 m3/h	Q min	0.0 m3/h
	%		
Nivel de ruido funcionamiento	≤43 dB(A)		



ELECTRICAL DATA

Tension	1~230 V
Frecuencia	50 Hz
Potencia nominal	90 W
Rpm	1080 - 1980 rpm
Clase aislamiento	H (180 °C)
Consumo corriente	0.39 A
Declared protection	IP44
Thermal protection	
Frame size	
Motor i e class	

INSTALLATION

Fluido permitido	Water VDI 2035
Temperatura fluido	-10.0 ÷ 110.0 °C
Temperatura max. ambiente	40 °C
medida	180 mm
DN1	25
Coneccion	G 1 ½
Coneccion	G 1 ½
Presion maxima	Max 10 bar

MATERIAL

Material cojinete	Grafito
Material impulsor	Noryl 1630V
Material cuerpo bomba	Hierro fundido
Material eje	AISI 420

GHN 25/60-180 SANITARY

979521713SAN

GHN SANITARY/ Three speeds threaded pumps for circulation of sanitary water



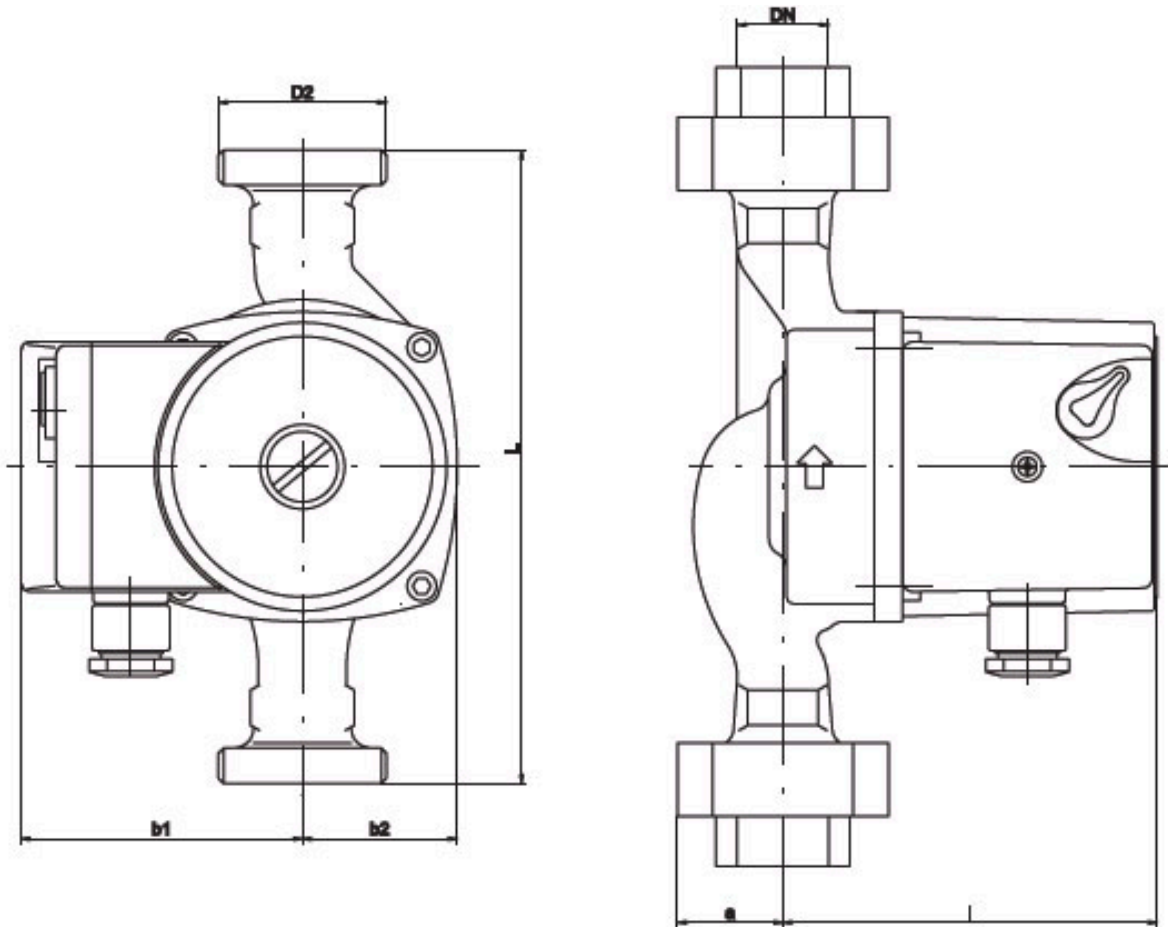


GHN 25/60-180 SANITARY

979521713SAN

GHN SANITARY/ Three speeds threaded pumps for circulation of sanitary water

Esquema dimensional



DN=25 D2=1 1/2" L=180 l=108 b1=80 b2=44 a=28



GHN 25/60-180 SANITARY

979521713SAN

GHN SANITARY/ Three speeds threaded pumps for circulation of sanitary water

Esquema electrico

