



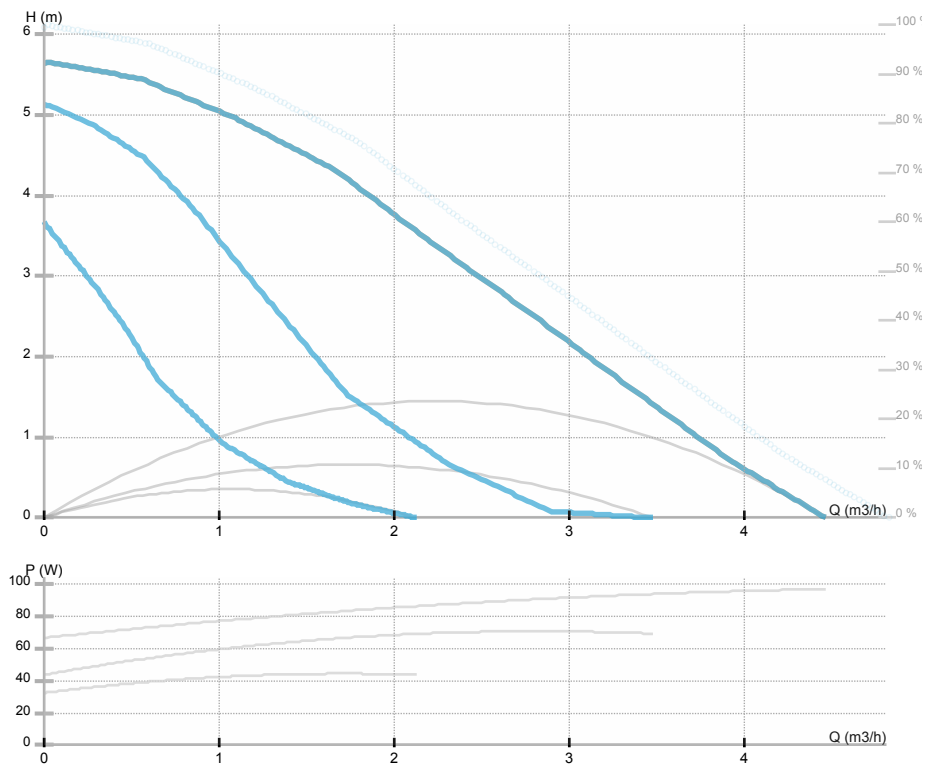
GHN 25/60-130 SANITARY

979521703SAN

GHN SANITARY/ Three speeds threaded pumps for circulation of sanitary water

GENERAL

| | | | |
|-------------------------------|-------------------------------|-------|-----------------|
| Codigo producto | 979521703SAN | | |
| Product name | GHN 25/60-130 SANITARY | | |
| Seal type | | | |
| Peso | 2,45 kg | | |
| H max | 5.7 m | H min | 0.0 m |
| Q max | 4.4 m3/h | Q min | 0.0 m3/h |
| | % | | |
| Nivel de ruido funcionamiento | ≤43 dB(A) | | |



ELECTRICAL DATA

| | |
|---------------------|------------------------|
| Tension | 1~230 V |
| Frecuencia | 50 Hz |
| Potencia nominal | 90 W |
| Rpm | 1080 - 1980 rpm |
| Clase aislamiento | H (180 °C) |
| Consumo corriente | 0.39 A |
| Declared protection | IP44 |
| Thermal protection | |
| Frame size | |
| Motor i e class | |

INSTALLATION

| | |
|---------------------------|-------------------------|
| Fluido permitido | Water VDI 2035 |
| Temperatura fluido | -10.0 ÷ 110.0 °C |
| Temperatura max. ambiente | 40 °C |
| medida | 130 mm |
| DN1 | 25 |
| Coneccion | G 1 ½ |
| Coneccion | G 1 ½ |
| Presion maxima | 1.0 MPa |

MATERIAL

| | |
|-----------------------|-----------------------|
| Material cojinete | Grafito |
| Material impulsor | Noryl 1630V |
| Material cuerpo bomba | Hierro fundido |
| Material eje | AISI 420 |

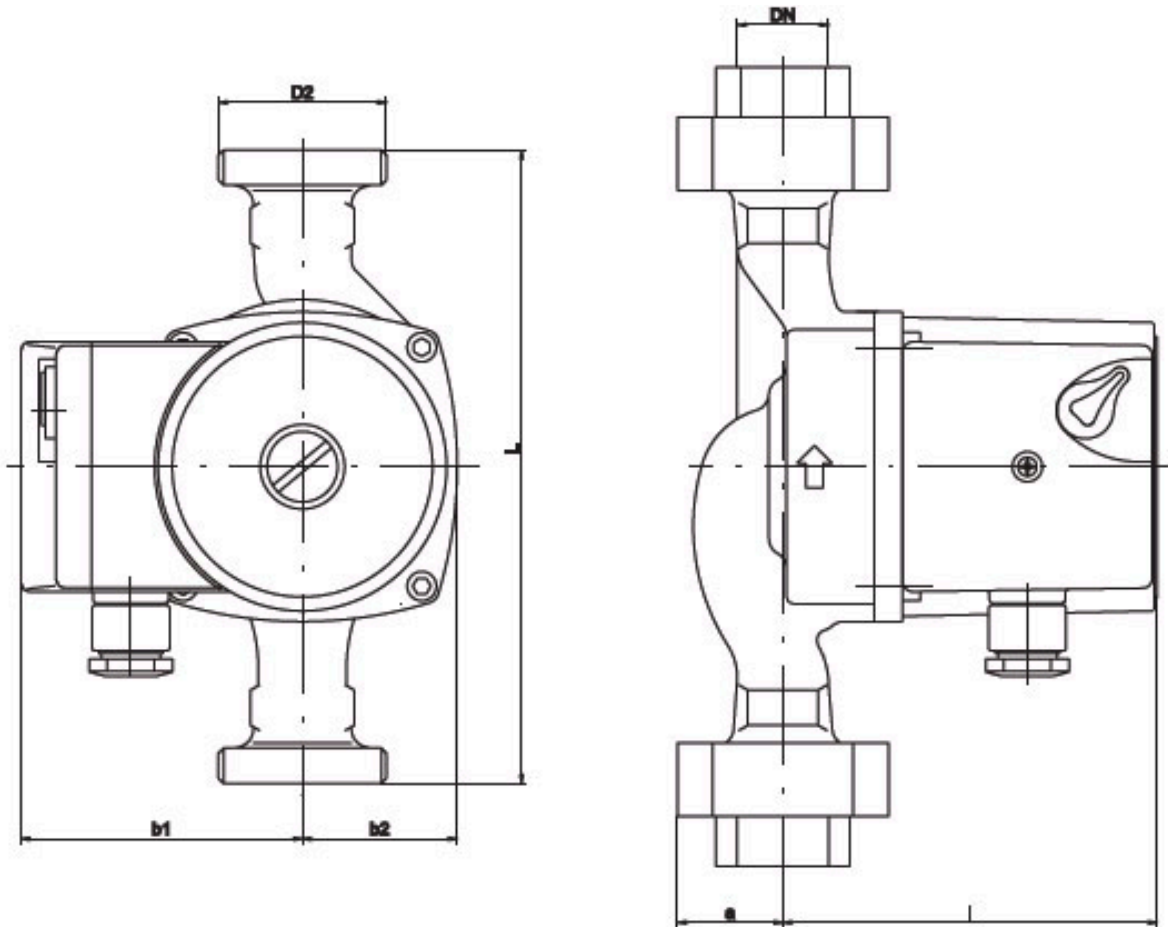


GHN 25/60-130 SANITARY

979521703SAN

GHN SANITARY/ Three speeds threaded pumps for circulation of sanitary water

Esquema dimensional



DN=25 D2=1 1/2" L=130 l=108 b1=80 b2=44 a=28



GHN 25/60-130 SANITARY

979521703SAN

GHN SANITARY/ Three speeds threaded pumps for circulation of sanitary water

Esquema electrico

