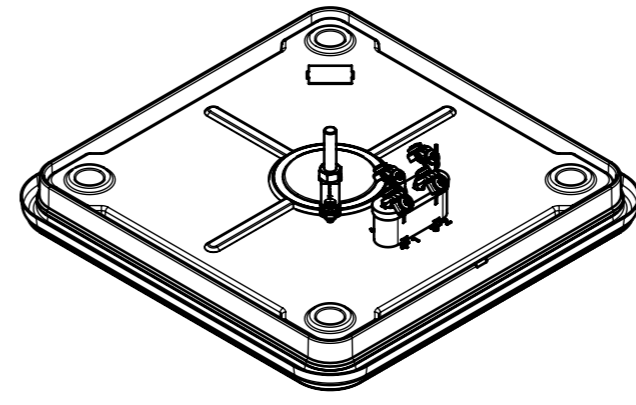
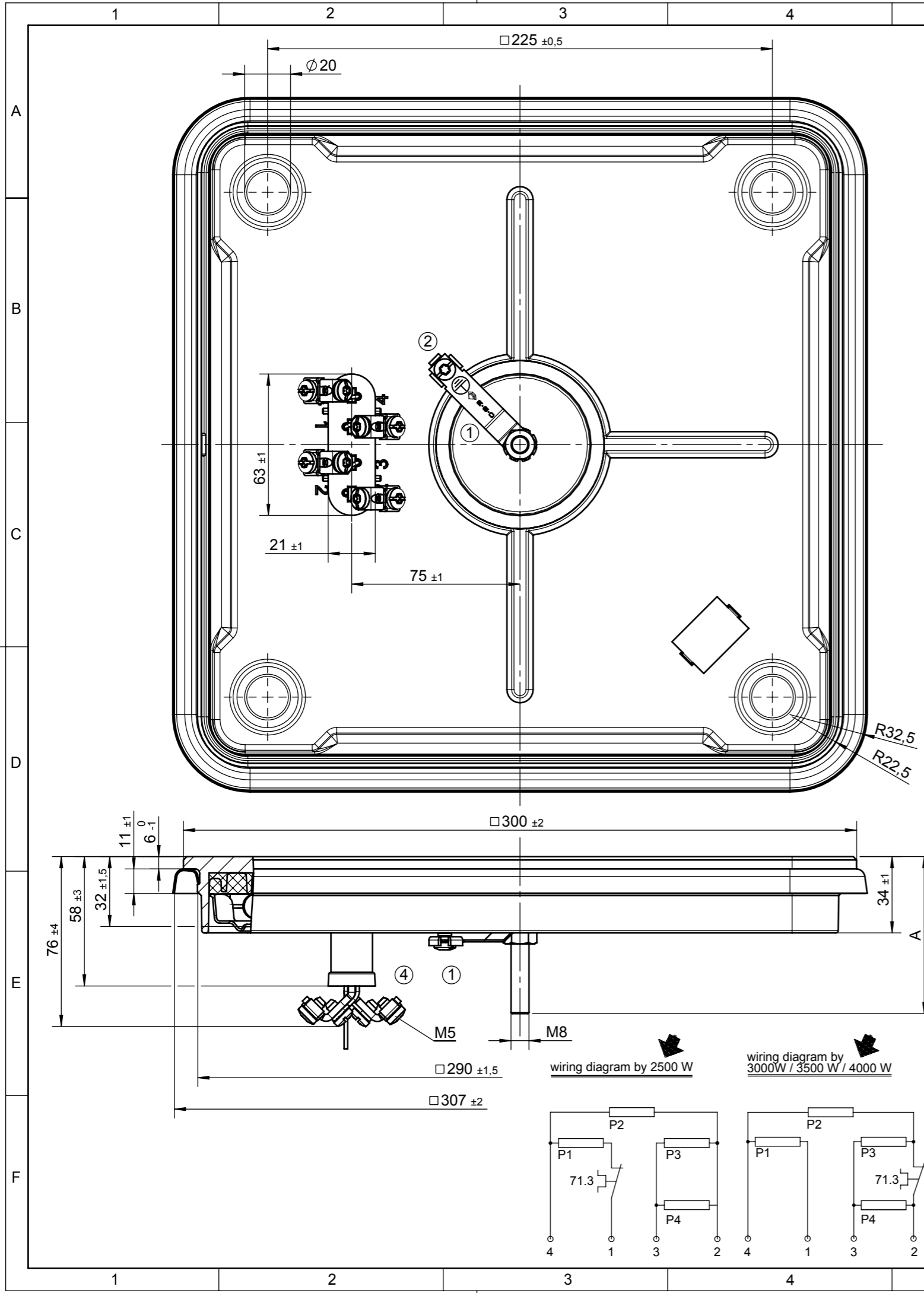


document id.: 11.33454.XXX-101-05-B / state: 230 - released  
view date: 2021-08-02 11:58:37 / user: AMORIMM



At higher temperature  
the protector switches  
back to the rest wattages.  
Rest wattage by:  
2500 W = 1875 W  
3000 W = 1750 W  
3500 W = 2000 W  
4000 W = 2000 W

11.33454.236  
3000W 240V~  
12 165

voltage marking  
230 V without  
240 V blue  
400 V red  
other green

connection  
4 straps with clamp  
bracket and screws M5

earthing  
with connecting lug  
clamp bracket and  
screw M5

mounting  
The hotplate is to  
support on the 4  
supporting disks

17	11.33454.336	4000	440	1500	1000	1000	500	4000	2500	1500	1000	600	430	X		70±3
16	11.33454.335	3000	440	750	750	500	1000	3000	2250	1500	750	500	300	X		70±3
15	11.33454.334	2500	440	625	625	625	625	2500	1875	1250	625	420	250	X		70±3
14	11.33454.333	3000	480	750	750	500	1000	3000	2250	1500	750	500	300			70±3
13	11.33454.265	4000	440	1333	1333	667	667	4000	2667	1333	1333	645	430	X		70±3
12	11.33454.262	4000	230	1333	1333	667	667	4000	2667	1333	1333	645	430	X		70±3
11	11.33454.252	2500	230	625	625	625	625	2500	1875	1250	625	420	250	X		70±3
10	11.33454.251	2500	400	625	625	625	625	2500	1875	1250	625	420	250	X		70±3
9	11.33454.249	4000	400	1500	1000	1000	500	4000	2500	1500	1000	600	430	X		70±3
8	11.33454.248	3000	400	750	750	500	1000	3000	2250	1500	750	500	300	X		70±3
7	11.33454.247	3000	230	750	750	500	1000	3000	2250	1500	750	500	300	X		70±3
6	11.33454.246	4000	230	1500	1000	1000	500	4000	2500	1500	1000	600	430	X		70±3
5	11.33454.245	2500	415	625	625	625	625	2500	1875	1250	625	420	250	X		70±3
4	11.33454.244	4000	200	1500	1000	1000	500	4000	2500	1500	1000	600	430	X		70±3
3	11.33454.242	3500	230	1000	1000	500	1000	3500	2500	1500	1000	600	380	X		70±3
2	11.33454.239	4000	240	1500	1000	1000	500	4000	2500	1500	1000	600	430	X		70±3
1	11.33454.236	3000	240	750	750	500	1000	3000	2250	1500	750	500	300	X		70±3

Pos	Type	Wattage	Voltage	Rated conductor				Switch positions					Appro.	"A" in mm			
③	④	W	V	P1	P2	P3	P4	6	5	4	3	2	1				
				This document is exclusively committed to you for the agreed purpose. Any kind of duplication, utilization or communication of its content is prohibited, if not expressly conceded otherwise. Violators are committed to pay compensations. Any claims of existing or future property rights remain unaffected.				Blank No.		EN Mat.No.					Scale Unit mm		
								Material							Scale 1:2		
								Surface Texture ISO 1302							General Tolerances		
								Designation		EGO Com. Hotplate 300x300							
Cha. Information No.		Date		Proc.		Date		Name									
F.Rel. A01402		2012-07-16		Rel.		2019-06-18		KOVACICB									
				document id.				11.33454.XXX-101-05-B					Stat. Sheets Doc. Ex.Doc.				
				Origin				Repl.for 11.33454. Div.					Repl.by		Ref.		