



LYRIC T6/T6R SMART THERMOSTAT

User Guide

Gebruikershandleiding
Mode d'employ
Benutzerhandbuch
Guida utente
Guía del usuario

Online Guides

Online instructies / Instructions en ligne / Online Hilfe
Guide online / Guías Online / Guías Online



http://hwll.co/T6_pdfs



getconnected.honeywell.com



Use of the Works with Apple HomeKit logo means that an electronic accessory has been designed to connect specifically to iPod, iPhone, or iPad, respectively, and has been certified by the developer to meet Apple performance standards. Apple is not responsible for the operation of this device or its compliance with safety and regulatory standards.

Het gebruik van het "Works with Apple HomeKit" logo betekent dat een elektronisch accessoire speciaal is ontworpen voor aansluiting op een iPod, iPhone of iPad, respectievelijk, en is gecertificeerd door de ontwikkelaar volgens de prestatienormen van Apple. Apple is niet verantwoordelijk voor de werking van dit apparaat of de naleving van de veiligheidsnormen en regelgeving.

L'utilisation du logo "Works with Apple HomeKit" signifie qu'un accessoire électronique a été conçu pour se connecter spécifiquement à l'iPod, iPhone ou iPad, respectivement, et a été certifié par le développeur pour répondre aux normes de performance Apple. Apple n'est pas responsable du fonctionnement de cet appareil ou de sa conformité aux normes de sécurité et d'application de la réglementation.

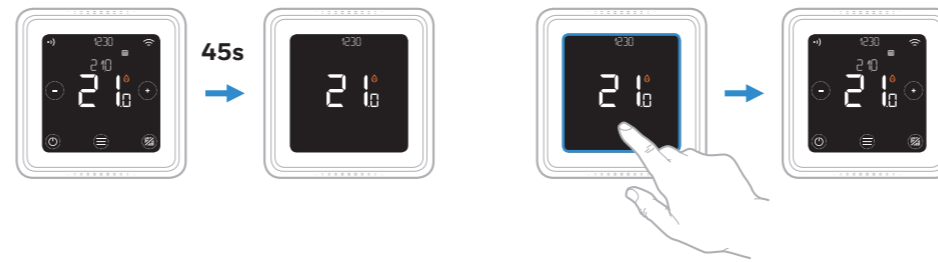
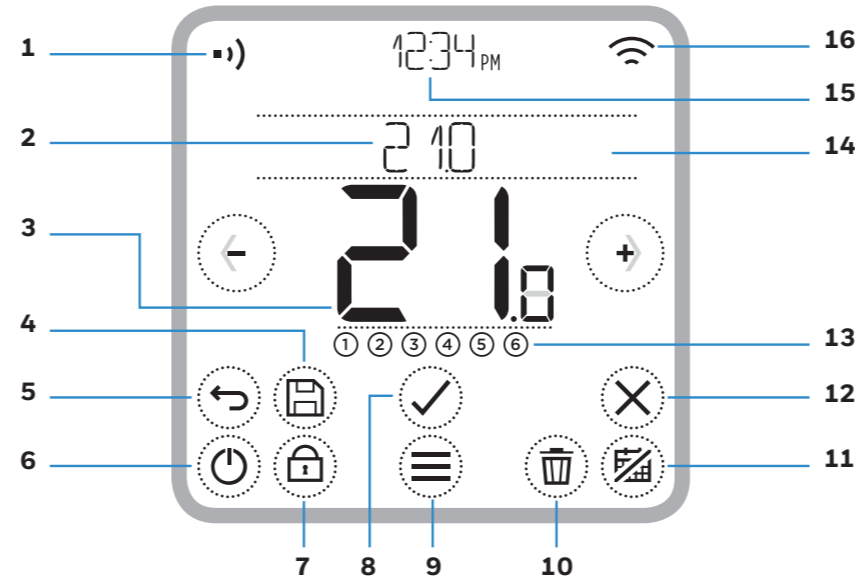
Verwendung des Logos "Works with Apple HomeKit" bedeutet, dass ein elektronisches Zubehör speziell für an den Anschluss an iPod, iPhone oder iPad designed wurde und vom Entwickler zertifiziert ist die Leistungsstandards von Apple zu erfüllen. Apple ist nicht verantwortlich für den Betrieb dieses Geräts oder die Einhaltung von Sicherheitsrichtlinien und gesetzlichen Vorgaben.

El uso del logotipo "Works with Apple HomeKit" significa que un accesorio electrónico ha sido diseñado para conectarse específicamente a un iPod, iPhone o iPad, respectivamente, y ha sido certificado por el desarrollador para cumplir con los estándares de rendimiento de Apple. Apple no se hace responsable del funcionamiento de este dispositivo ni de que cumpla con las normas de seguridad vigentes.

L'uso del logo "Works with Apple HomeKit" indica che un accessorio elettronico è stato progettato per essere collegato specificamente a iPod, iPhone o iPad, rispettivamente, ed è stato certificato dallo sviluppatore per soddisfare gli standard Apple. Apple non è responsabile del funzionamento di questo dispositivo o della sua conformità agli standard di sicurezza e normativi.

1 Screen overview

Scherm overzicht / Vue d'ensemble de l'écran / Bildschirmübersicht / Panoramica dello schermo / Visión general de la pantalla



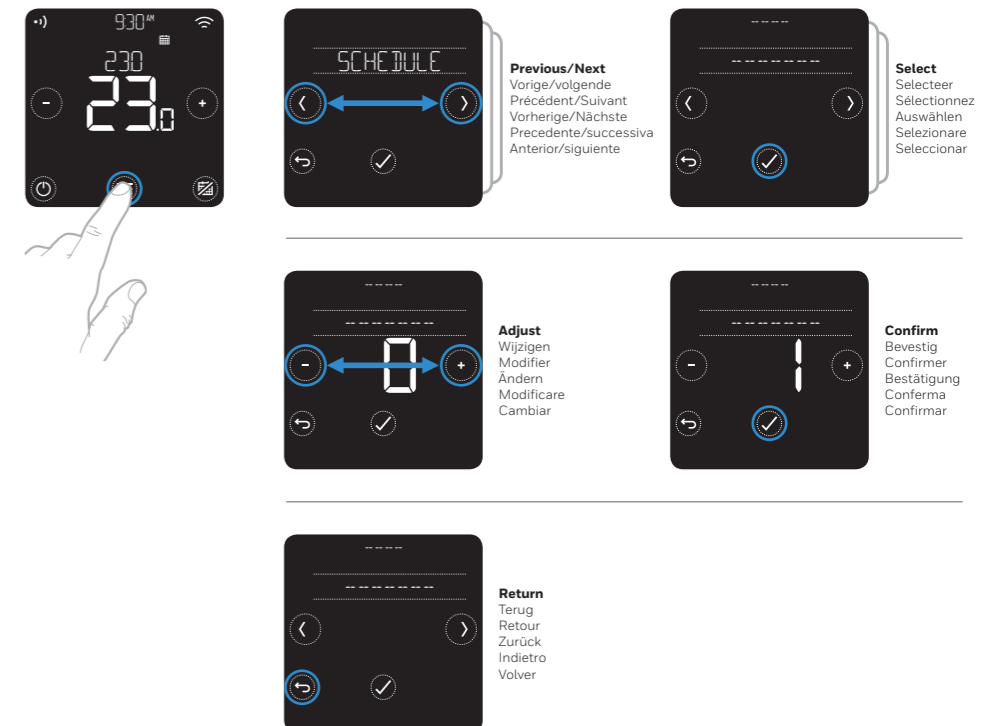
2 Status icons

Statuspictogrammen / Icônes d'état / Statussymbole / Icone di stato / Iconos de estado

- Geofencing active**
Geofencing actief
Gardiennage virtuel actif
Geofencing aktiv
Geofencing attivo
Geolocalización activo
- Geofencing home active**
Geofencing thuis actief
Gardiennage virtuel actif en mode à la maison
Geofencing Zuhause aktiv
Geofencing 'a casa' attivo
Geolocalización en el hogar activo
- Geofencing away active**
Geofencing afwezig actief
Gardiennage virtuel actif en mode Absent
Geofencing Unterwegs aktiv
Geofencing 'assenti' attivo
Geolocalización fuera del hogar activo
- Geofencing sleep active**
Geofencing slaapstand actief
Gardiennage virtuel actif en mode Sommeil
Geofencing Ruhemodus aktiv
Geofencing 'sospensione' attivo
Geolocalización durante el sueño activo
- Failure/Alarm**
Storing/Alarm
Défaillance/Alarme
Fehlfunktion/Alarmmeldung
Guasto/allarme
Fallo/alarma
- Optimisation active**
Optimalisatie actief
Optimisation active
Optimierung aktiv
Ottimizzazione attiva
Optimización activa
- Schedule disabled**
Programma uitgeschakeld
Programme désactivé
Zeitprogramm deaktiviert
Programma orario disabilitato
Programa desactivado
- Schedule enabled**
Programma ingeschakeld
Programme activé
Zeitprogramm aktiviert
Programma orario abilitato
Programa activado
- Temporary Hold active**
Tijdelijk actief
Maintien provisoire actif
Zeitweiliges Halten aktiv
Mantenimento temporaneo attivo
Temporal activado
- Heating demand active**
Warmtevraag actief
Demande de chauffage active
Heizwärmebedarf aktiv
Richiesta di riscaldamento attiva
Demanda de calefacción activa
- Receiver module communication**
Ketelmodule communicatie
Communication la boîte de réception
Empfängers Kommunikation
Comunicazione il ricevitore
Comunicación con receptor
- Setpoint temperature**
Gewenste temperatuur
Température de consigne
Solltemperatur
Temperatura prefissata
Temperatura de consigna
- Actual room temperature**
Gemeten kamertemperatuur
Température ambiante réelle
Aktuelle Raumtemperatur
Temperatura effettiva del locale
Temperatura ambiente real
- Save**
Opslaan / Enregistrer / Speichern / Salva / Guardar
- Return**
Terug / Retour / Zurück / Indietro / Volver
- System Mode**
Systeemmodus
Mode du système
Systemmodus
Modalità di funzionamento dell' impianto
Modo del sistema
- Lock**
Vergrendeld / Verrouillage / Sperre / Bloccato / Bloquear
- Select**
Selecteer / Sélectionner / Auswählen / Seleziona / Seleccionar
- Cancel**
Annuleren / Annuler / Abbrechen / Annulla / Cancelar
- Schedule period**
Programmaperiode
Période du programme
Temperaturschaltzeit
Intervallo del programma
Período del programa
- Messaging centre**
Berichtencentrum
Centre de messagerie
Mitteilungs-Center
Centro messaggi
Centro de mensajes
- Current time**
Actuele tijd
Heure actuelle
Aktuelle Uhrzeit
Ora corrente
Hora actual
- Wi-Fi communication**
Communication Wi-Fi
Wi-Fi-Kommunikation
Comunicazione Wi-Fi
Comunicación Wi-Fi

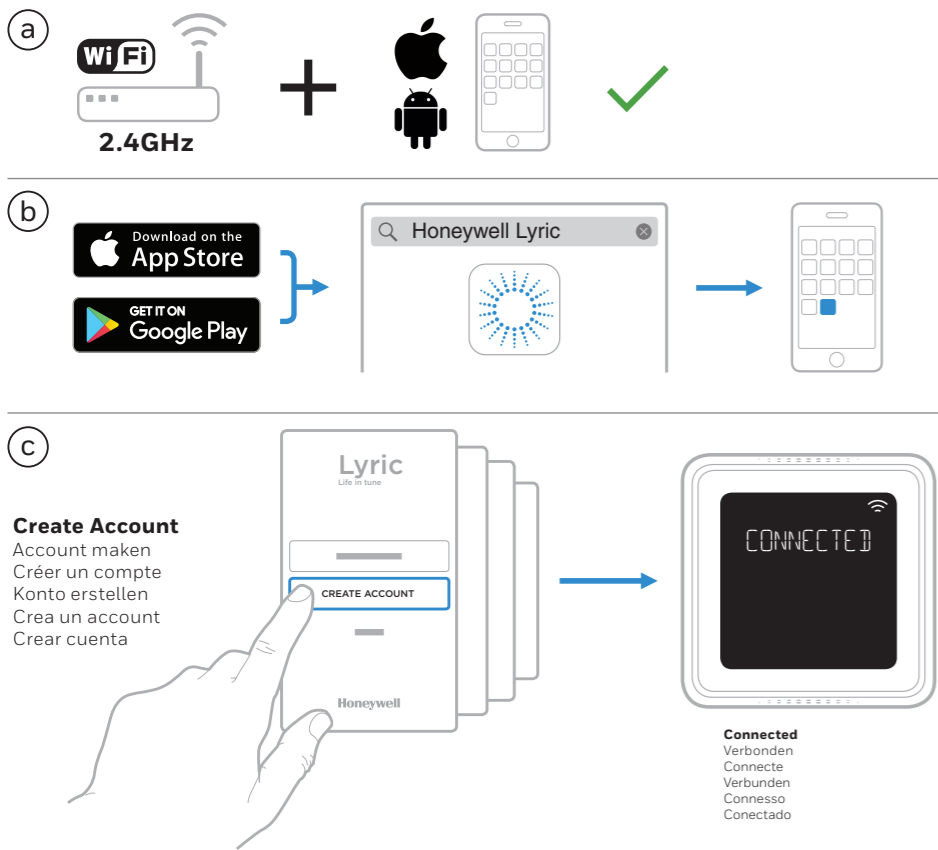
3 Navigating the menu

Navigeren door het menu
Navigation dans le menu
Navigieren durch das Menü
Navigazione del menu
Navegando por el Menú



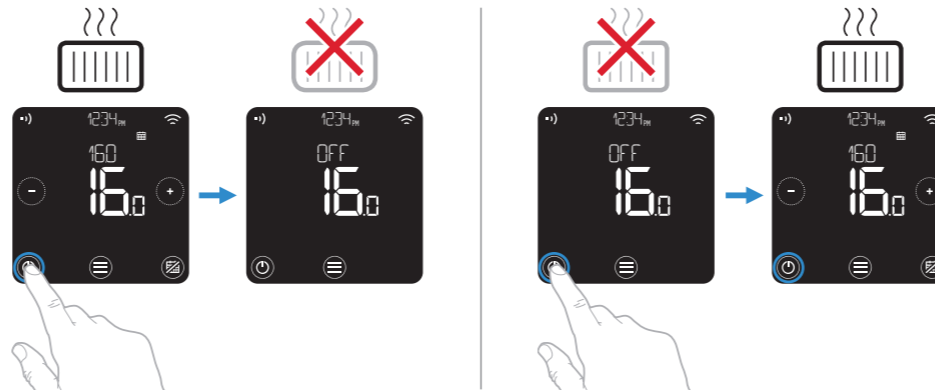
4 Connecting to a Wi-Fi® network

Verbinden met een Wi-Fi® netwerk / Connexion à un réseau Wi-Fi® / Verbinden mit einem Wi-Fi®-Netzwerk / Connessione ad una rete Wi-Fi® / Conectar a una red Wi-Fi®



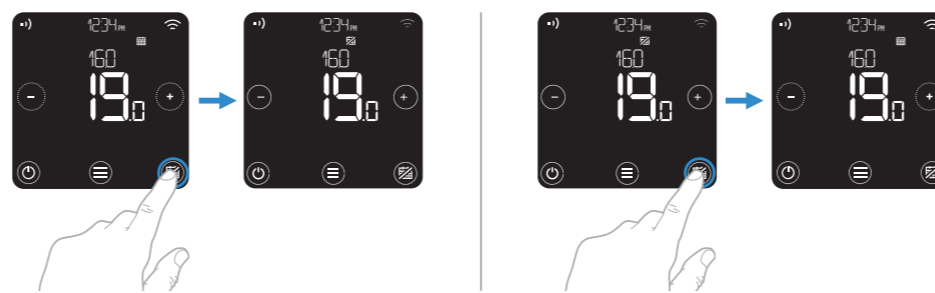
5 Setting the system mode

Instellen systeemmodus / Mode réglage du système / Systemeinstellungen / Configurazione della modalità di sistema / Configuración del sistema



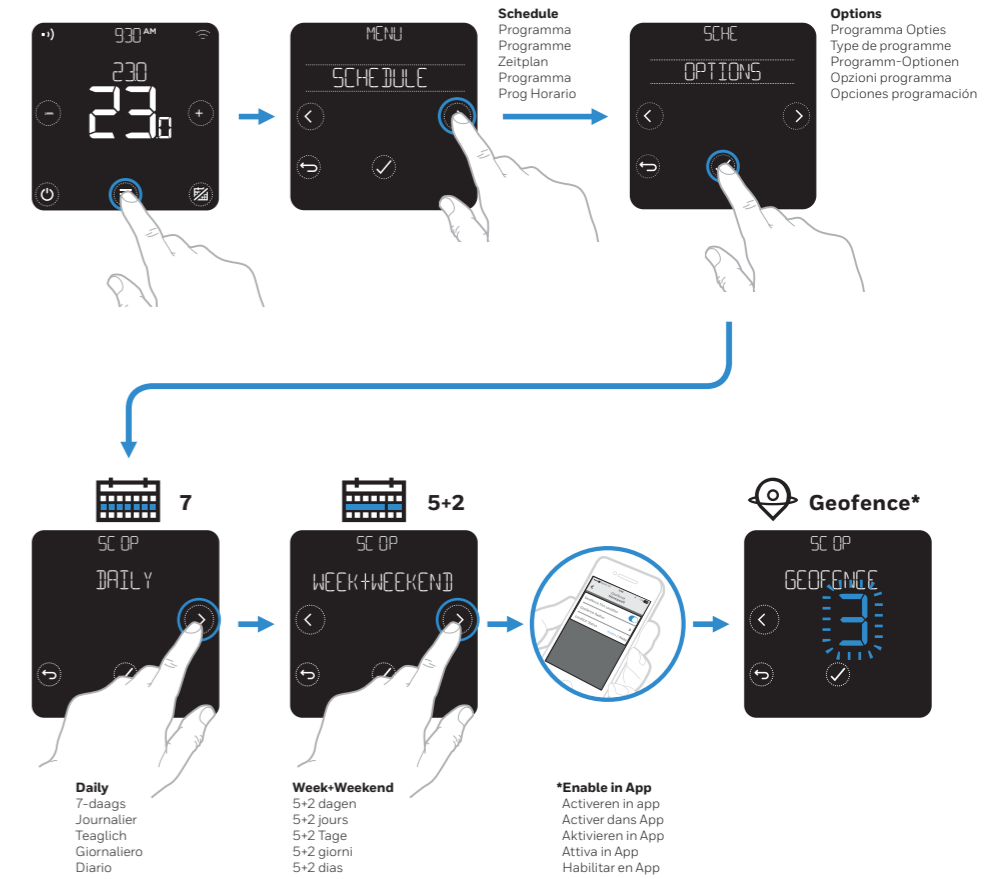
6 Turn the schedule On/Off

Schakelt programma In/Uit / Marche/arrêt du programme / Ein- und Ausschalten des Zeitprogramms / Attivazione/disattivazione del programma orario / Activar/desactivar el programa



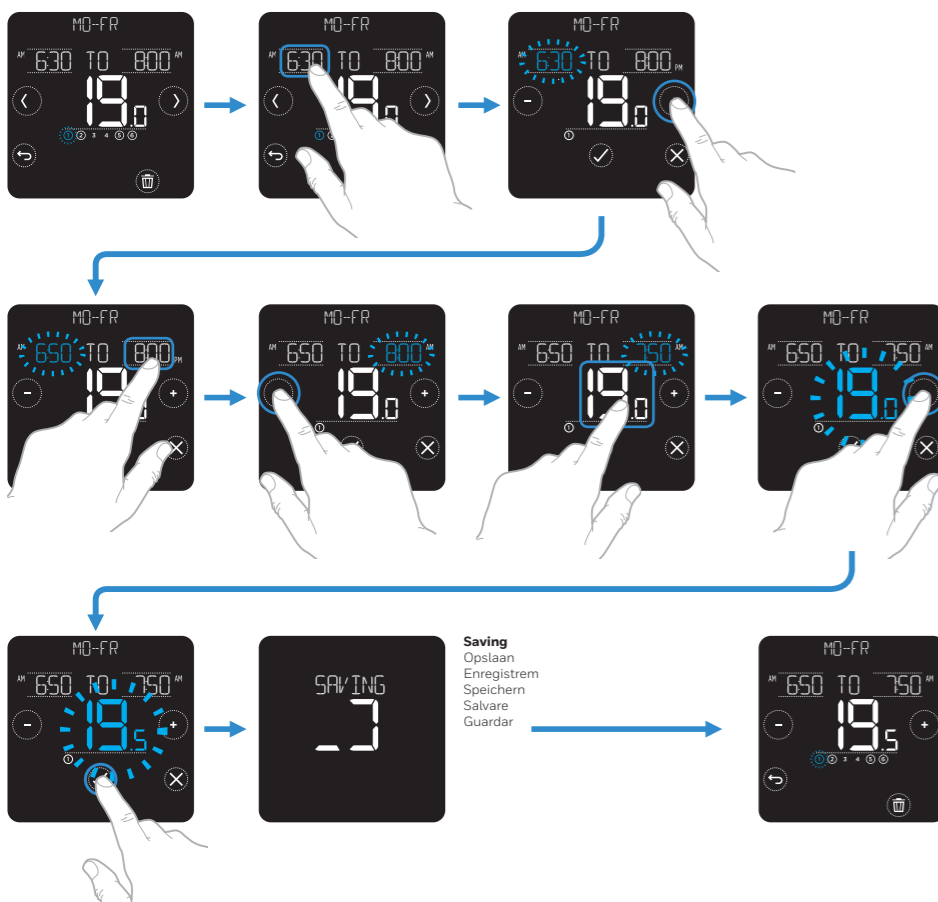
7 Schedule options

Programma opties / Type de programme / Programm-Optionen / Opzioni programma / Opciones programación



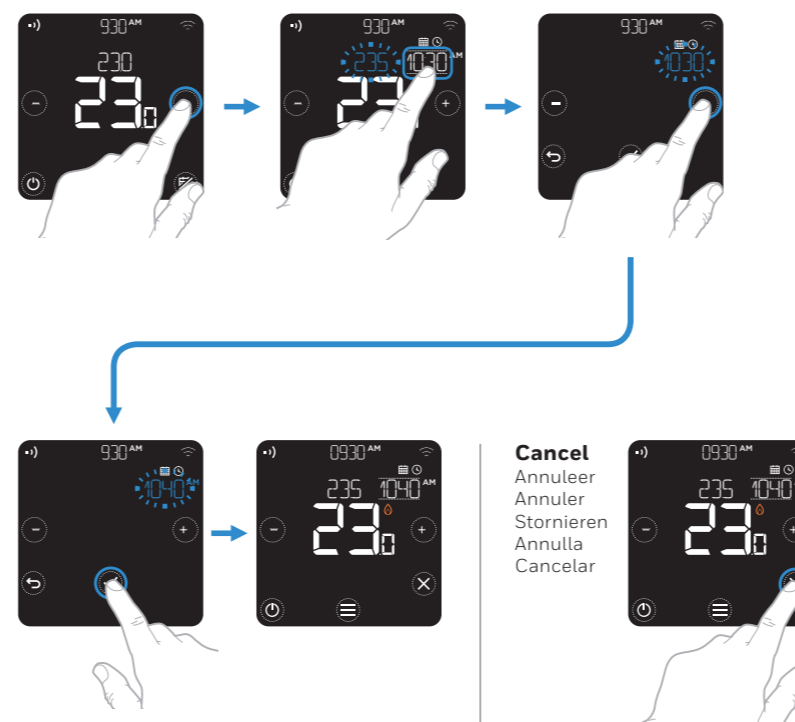
8 Adjusting a program schedule

Aanpassen programma / Réglage de programmation des horaires / Einstellen von Temperaturschaltzeiten / Modifiche del programma orario / Ajustar los programas



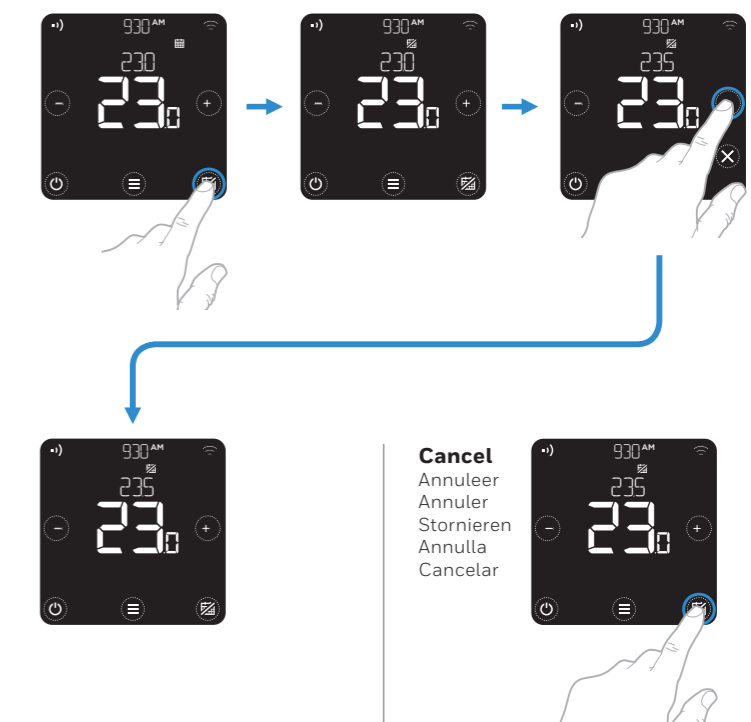
9 Temporary override (hold until)

Tijdelijk overschrijven (tijdelijk tot) / Remplacement temporaire (maintien jusqu'à) / Temporäre Überbrückung (halten bis) / Controllo manuale temporaneo (mantieni sino alle) / Anulación temporal (pausar hasta)



10 Manual mode (permanent hold)

Handmatige bediening (continu) / Mode manuel (maintien permanent) / Manueller Betrieb (permanentes halten) / Modalità manuale (mantieni sempre) / Modo manual (permanente)



Honeywell | Lyric T6R-HW Smart Thermostat



EN Install Guide

Compatible with Sundial Y- and S-plan stored hot water systems with zone valves. Also compatible with 24-230V on/off appliances such as gas boilers, combi-boilers and heat pump.

Manufactured for and on behalf of the Environmental and Energy Solutions Division of Honeywell Technologies Sàrl, ACS-ECC EMEA, Z.A. La Pièce 16, 1180 Rolle, Switzerland by its Authorised Representative Honeywell Inc.



Need help? For assistance please visit: getconnected.honeywell.com

Honeywell Control Systems Ltd.,
Skimped Hill Lane,
Bracknell,
Berkshire,
RG12 1EB

Approvals

Conforms to protection requirements of the following directives: **EMC: 2014/30/EU**, **LVD: 2014/35/EU** and **RED: 2014/53/EU**. Hereby, Honeywell, declares that this thermostat is in compliance with the essential requirements and other relevant provisions of Directive 2014/53/EU. The full text of the EU Declaration of Conformity is available at the following Internet address: <http://hwll.co/DoC>



RF (868MHz): Receiver Category 2, Max RF Power 25mW, 868-868.6MHz (868.3MHz)
Wi-Fi (2.4GHz): Max Power 100mW, 2.4-2.458Ghz
ErP: Class VI (+4%), (EU) 811/2013

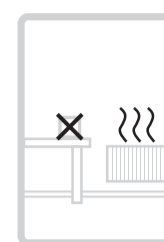
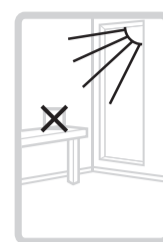
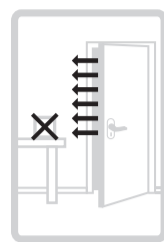


Must be installed by a competent person!
Read these instructions carefully. Failure to follow these instructions can damage the product or cause a hazardous condition.

1 Turn OFF the power and remove the old thermostat

To ensure your safety, **always make sure mains power is switched OFF** before accessing wiring.

In case of removing the old thermostat be aware that the **existing wiring will no longer be used**.



The T6R-HW thermostat should not be placed near draughts, in direct sunlight or near heat sources.



WEEE Directive 2012/19/EC Waste Electrical and Electronic Equipment directive

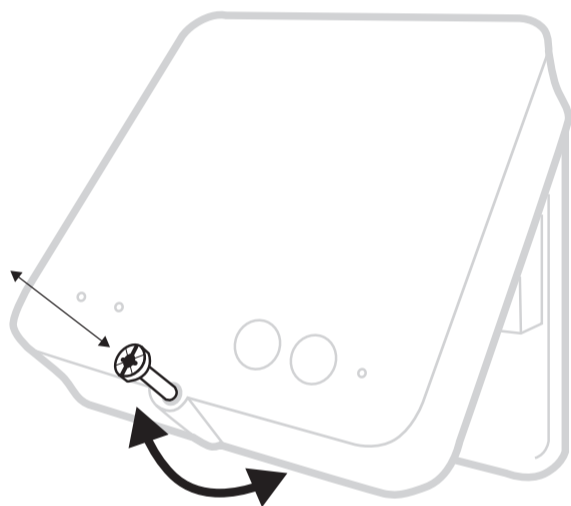
At the end of the product life dispose of the packaging and product in a corresponding recycling centre. Do not dispose of the unit with the usual domestic refuse. Do not burn the product.

2 Prepare Receiver Box for installation

Before installation of the Receiver Box

Find a suitable location near to the boiler. Leave at least 30cm distance from any metal objects including wallboxes and boiler housing.

Loosen the front screw to remove cover or tighten it when the cover is back in place.



Needed during installation:

- Cable with 2 wires from the boiler to Receiver Box.
- The Receiver Box requires 230V power

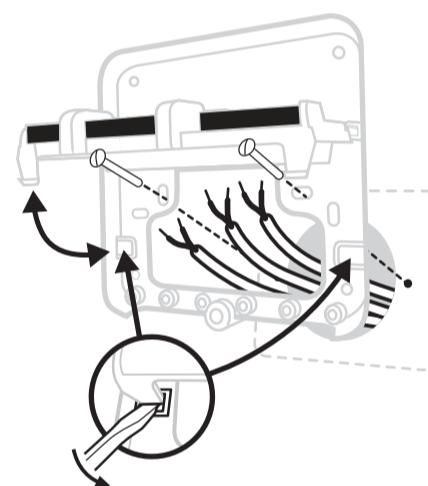
3 Install the Receiver Box



Please refer to the wiring diagrams over the page

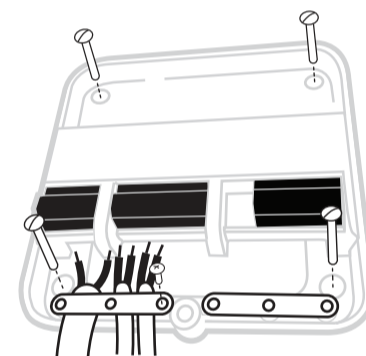
A) Wall box or Rear Wiring

Hinge open the terminal block flap to access the cables and wall box screw holes.



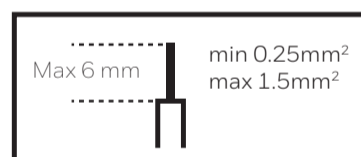
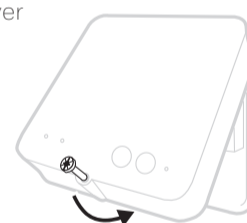
B) Surface wiring

Use the cable clamps to secure the surface wiring.

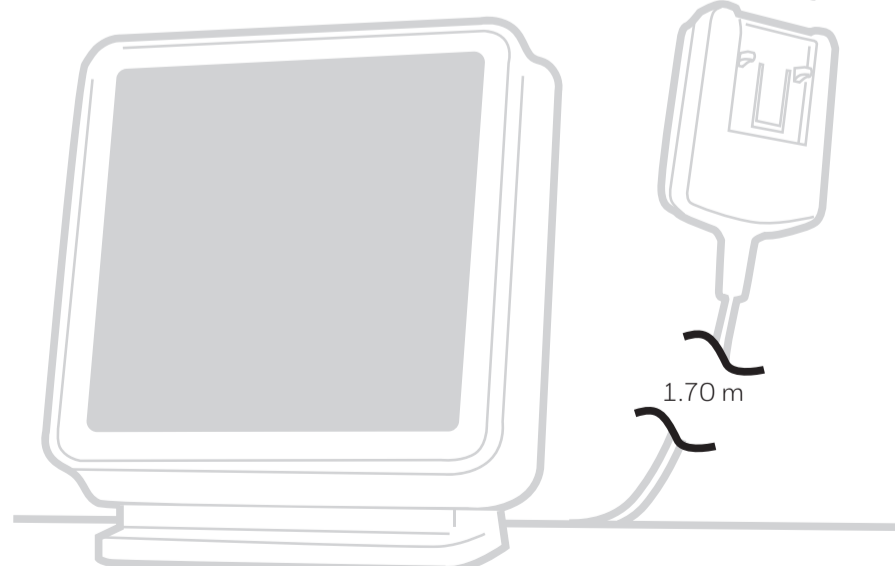


C) Replace the cover

Locate the hinges at the top of the cover and wall plate, close the cover and secure with the screw.



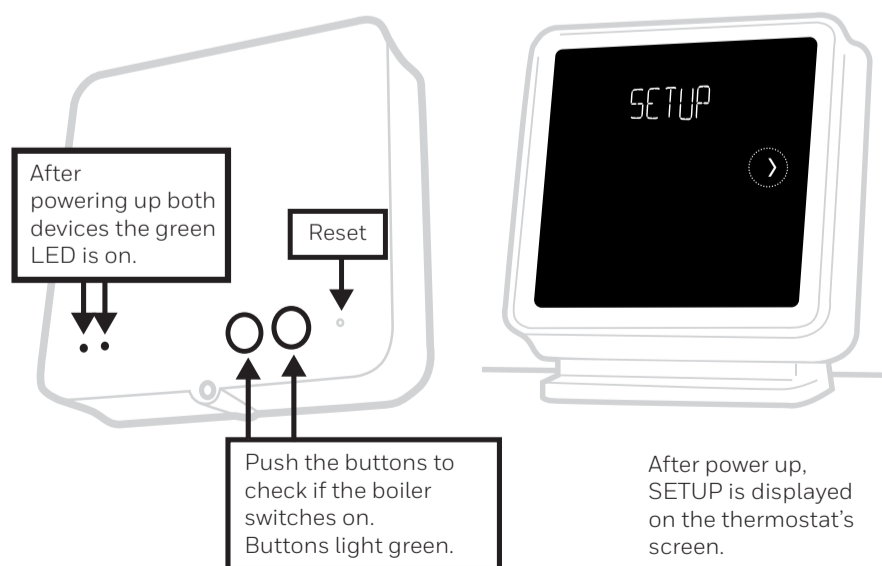
4 Install the Lyric T6R-HW thermostat



Choose the appropriate plug.
Place the thermostat on an even, horizontal surface and plug it in.

5 Complete installation

Turn ON mains power to the Heating Appliance and Receiver Box.



After powering up both devices the green LED is on.

Reset

Push the buttons to check if the boiler switches on. Buttons light green.

After power up, SETUP is displayed on the thermostat's screen.



To rebind the units, reset the Receiver box, then press the button for 3 seconds. The LED on the receiver box will blink yellow to indicate the box is in binding mode. On the thermostat press for 5 seconds to enter the advanced menu. Navigate to Binding, clear the current binding then bind the device again.

6 Set Up and configuration



1) Touch (→) to begin setting up the thermostat.



2) Select your language.



3) Set the clock format, time and date.



4) Touch (X) to finalise setup. (✓ to setup using the App is currently unsupported)

Once setup is completed, if you need to change more settings go to the advanced menu. To access the advanced menu press (≡) for 5 seconds.

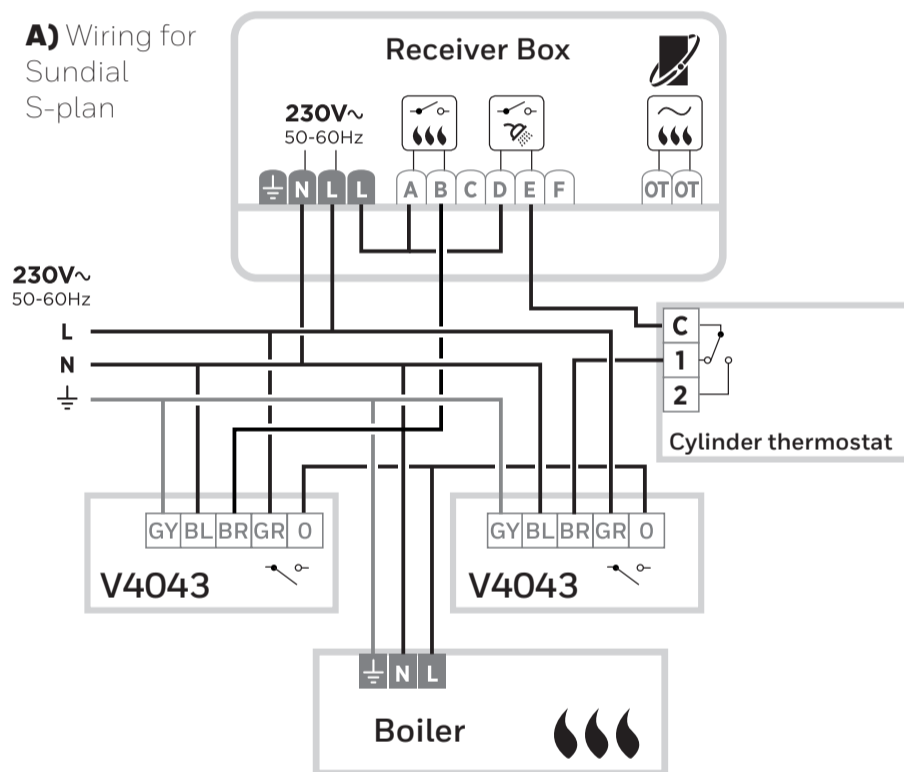


In the advanced menu the following settings can be adjusted:

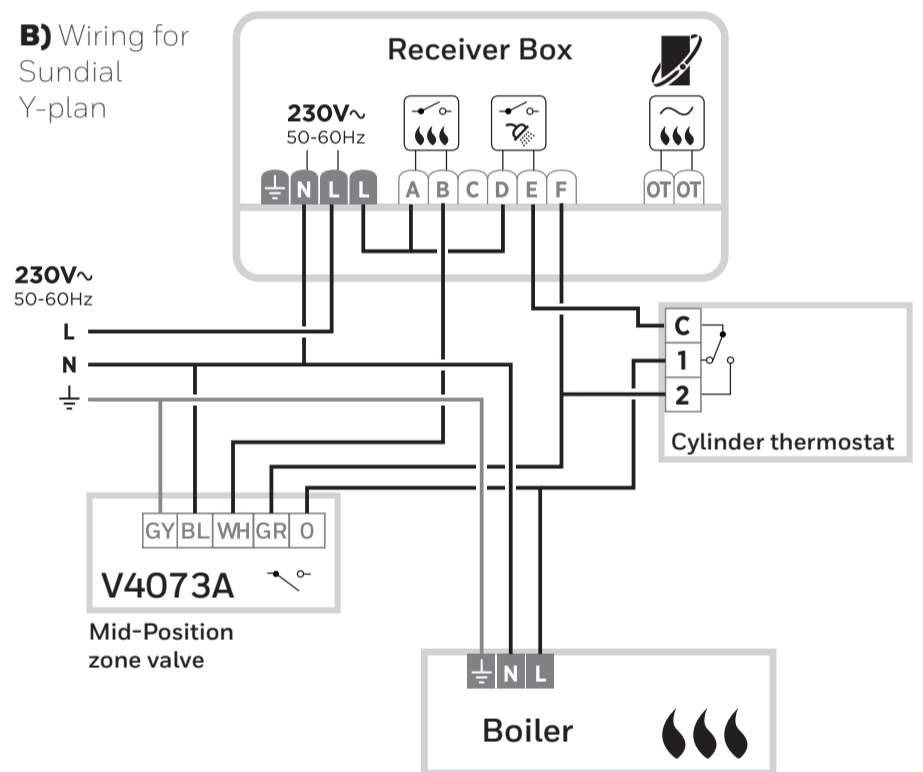
Menu Item	Default	Options
LANGUAGE	English	0 = English, 1 = Français, 2 = Español, 3 = Deutsch, 4 = Nederlands, 5 = Italiano
SYSTEM TYPE	Heat+HW	Heating only, Heating + Hot Water, Heating + Cooling
OPENTHERM	-	OpenTherm boiler data when available
CYCLE RATE	6	3, 6, 9 or 12
MINIMUM ON TIME	1 minute	1, 2, 3, 4 or 5 minutes
HEAT RANGE	Min = 5.0°C Max = 35.0°C	Min: 5°C to 21°C, Max: 21°C to 35°C
SCHEDULE OPTIONS	Daily	1 = Daily schedule, 2 = 5+2 days schedule
OPTIMISE	Opt. start OFF Opt. stop OFF	Opt. start: 0 = off, 1 = on, 2 = Delayed start Opt. stop: 0 = off, 1 = on
CLOCK	Format: 24h Time: --:-- Date: 01/09/16	Clock format: 1 = 12h, 2 = 24h Setup time and date
LOW LOAD CONTROL	ON	0 = off, 1 = on
TEMPERATURE OFFSET	0.0°C	-1.5 °C to 1.5°C
BINDING	-	Bind, check RF and clear bind.
RESET	-	Factory, schedule, WiFi and HomeKit reset
FAILSAFE	OFF	0 = off, 1 = on

Wiring Diagrams

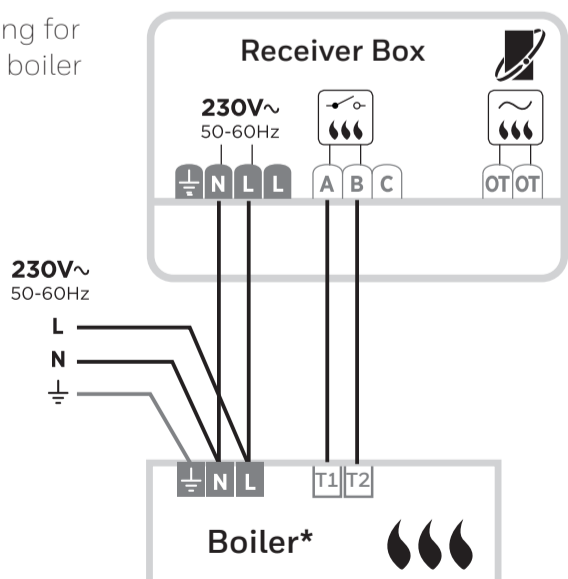
A) Wiring for Sundial S-plan



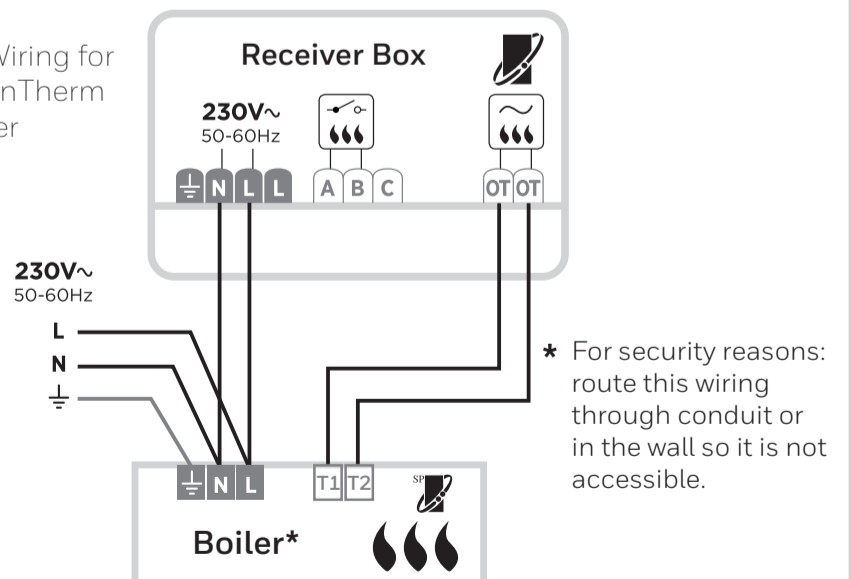
B) Wiring for Sundial Y-plan



C) Wiring for Combi boiler



D) Wiring for OpenTherm boiler



* See boiler specifications for correct terminals