

**APPROVALS**



**ENGINEERING CODE**  
269KA51

**APPROVED REFRIGERANT**  
R-134a

**POWER SUPPLY**  
220-240 V 50 Hz

**STANDARD CONDITIONS**  
ASHRAE

**APPLICATION**  
LBP

**COOLING CAPACITY**  
438 W (LBP)

**EFFICIENCY**  
1.34 W/W (LBP)

**MOTOR TYPE**  
CSIR

**STARTING TORQUE**  
HST

**DATA**

**General Data**

Type	Hermetic reciprocating
Technology Type	On-Off
Displacement	16.8 cm <sup>3</sup>
Compressor Cooling	Fan/NotControlled/220
Fan Air Flow	520 m <sup>3</sup> /h
Expansion Device	Capillary Tube or Expansion Valve
Horse Power	1/2 hp
Max Condensing Pressure Operating	13.92 bar
Max Condensing Pressure Peak	15.62 bar
Power Supply	220-240 V 50 Hz
Evaporating Temperature Range	-30 °C to -5 °C

**Electrical Data**

Motor type	CSIR
Starting Torque	HST

## Mechanical Data

Maximum Recommended Refrigerant Charge	350 g
Oil Charge	350 ml
Oil Type Configuration	ESTER
Oil Type Viscosity	ISO22
Pressurization	Dry air charge
Weight	11.6 Kg
Free Internal Volume	2.1 L

## Electrical Components

	Description
Start Capacitor	72-88 Uf / 330 V
Starting Device	Relay   MTRPH-47-65*
Motor Protection	T0059/G6

## External Characteristics

Base Plate	European	
Tray Holder	No	
Height	206 mm	
Connector	Internal Diameter	Shape
Suction	8.1 mm	Slanted 42°/Copper
Discharge	6.1 mm	Straight/Copper
Process	6.1 mm	Slanted 42°/Copper

## PERFORMANCE

## Rated Points

Condensing Temperature	Evaporating Temperature	Cooling Capacity	Power Consumption	Gas Flow Rate	Efficiency
54.40°C	-23.30°C	438 W	328 W	8.50 kg/h	1.34 W/W

Test Condition: ASHRAELBP32, Fan/NotControlled/220, Return Gas 32.2°C, Evaporation -23.30°C, Condensing 54.40°C, Ambient 32.2°C, Liquid 32.2°C, Subcooling 22.2K. Data are an indication of performance based simulation.

## Performance Curve Data

### Condensing Temperature 35°C

Evaporating Temperature °C	Cooling Capacity W	Power W	Gas Flow Rate kg/h	Efficiency W/W
-30	334	246	6.47	1.36
-25	448	287	8.68	1.56
-20	586	330	11.39	1.78
-15	751	377	14.65	1.99
-10	945	428	18.49	2.21
-5	1170	483	22.97	2.42

Test Condition: ASHRAELBP32, Fan/NotControlled/220, Return Gas 32.2°C, Ambient 32.2°C, Liquid 32.2°C. Data are an indication of performance based simulation.

### Condensing Temperature 45°C

Evaporating Temperature °C	Cooling Capacity W	Power W	Gas Flow Rate kg/h	Efficiency W/W
-30	315	254	6.09	1.24
-25	425	301	8.24	1.41
-20	560	353	10.88	1.59
-15	722	410	14.06	1.76
-10	911	471	17.82	1.93
-5	1132	538	22.21	2.1

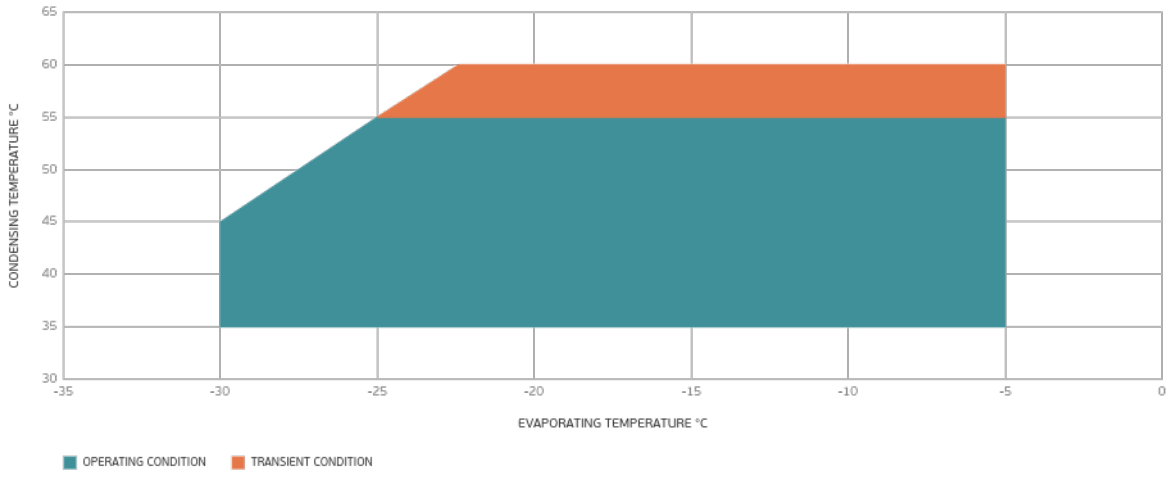
Test Condition: ASHRAELBP32, Fan/NotControlled/220, Return Gas 32.2°C, Ambient 32.2°C, Liquid 32.2°C. Data are an indication of performance based simulation.

### Condensing Temperature 55°C

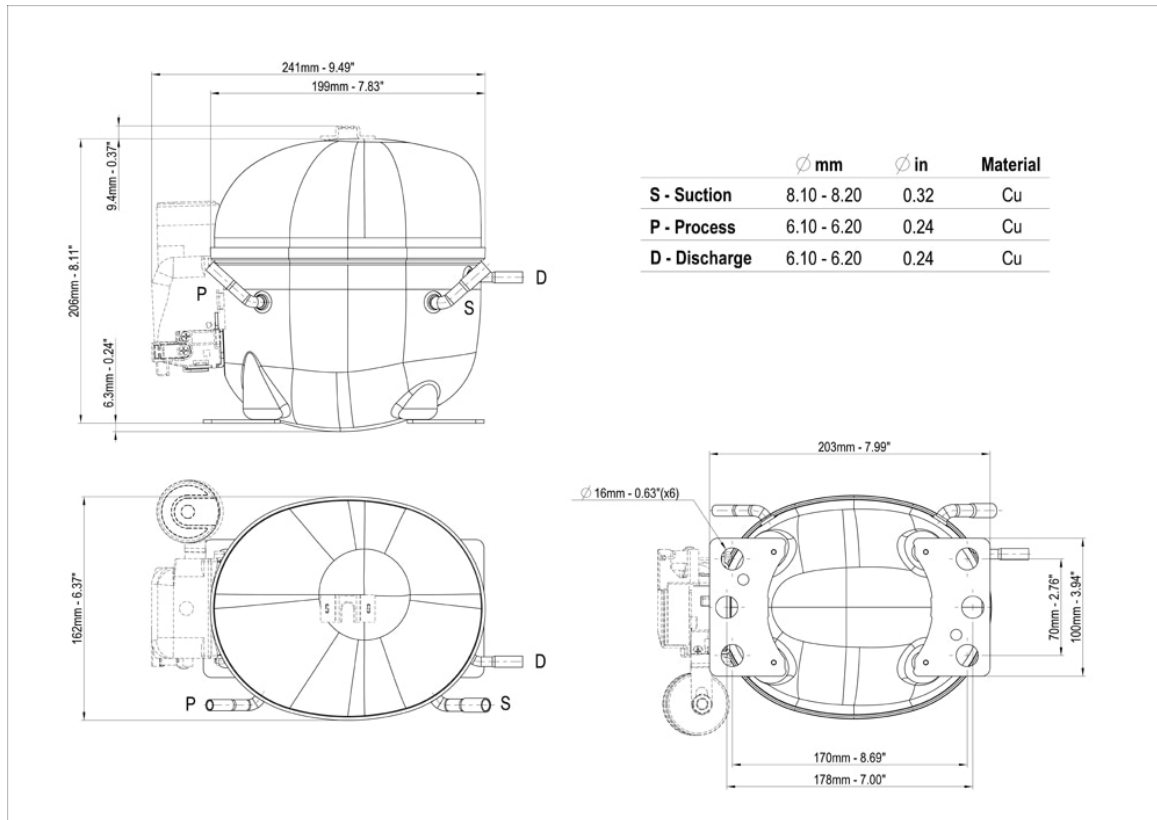
Evaporating Temperature °C	Cooling Capacity W	Power W	Gas Flow Rate kg/h	Efficiency W/W
-25	397	308	7.68	1.29
-20	527	367	10.25	1.44
-15	685	432	13.34	1.59
-10	870	503	17.01	1.73
-5	1086	580	21.30	1.87

Test Condition: ASHRAELBP32, Fan/NotControlled/220, Return Gas 32.2°C, Ambient 32.2°C, Liquid 32.2°C. Data are an indication of performance based simulation.

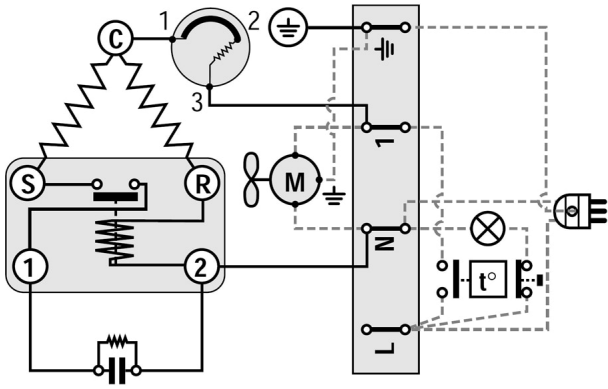
## Operating Envelope



## External Dimensions



## Wiring Diagram



## Assembly Instructions

