

# Condensing Unit

## Technical Data Sheet

**Model** CGP16TG\_N  
**Voltage** 200-220/230V 50/60Hz ~1  
**Refrigerant** R134a

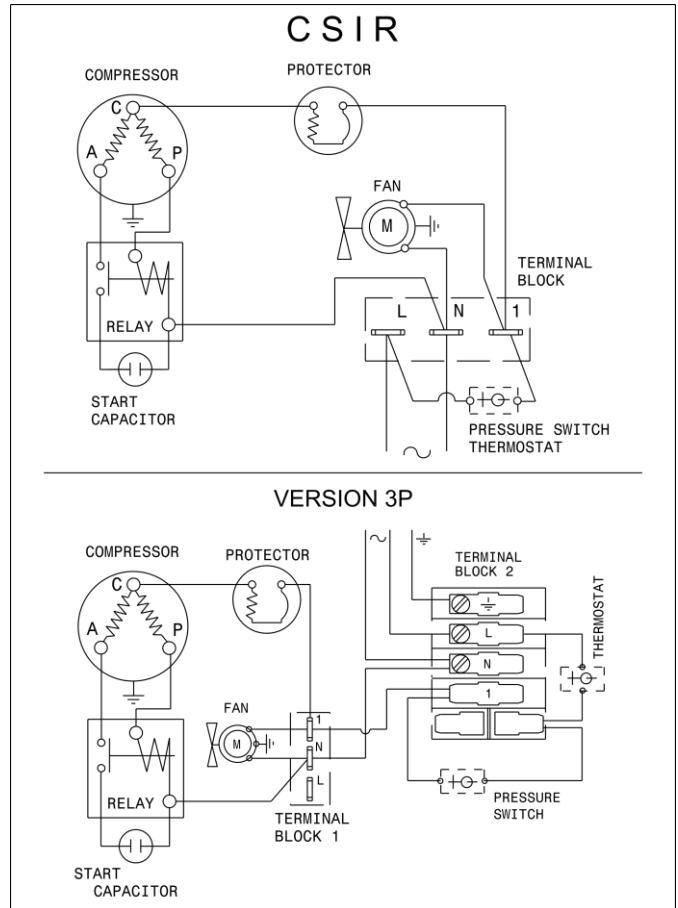
APPLICATION		COMPRESSOR	MOTOR
Application	High Back Pressure	Displacement 16,15 cm <sup>3</sup>	Nominal Power 3/8 hp
Refrigerant	R134a	Diameter 31,19 mm	Voltage/Frequency 200-220V 50Hz
Evaporating Temp.	-15,0 °C to 10,0 °C	Stroke 21,13 mm	Voltage range 170-242 V
Expansion	Capillar/Valve	Oil type ISO VG 32 ESTER	Type CSIR
Comp. Cooling	Fan cooled	Oil charge 400 cm <sup>3</sup>	Phase number 1 PH
Max. ambient temp.	43,0 °C		Locked Rotor Amps (LRA) 23,00 A
			Max. Cont. Current (MCC) 6,50 A
			Main W. resist. at 25°C 3,80 Ω
			Start W. resist. at 25°C 13,10 Ω

NOMINAL PERFORMANCE	ASHRAE
Cooling Capacity	1.340 W
COP	1,89 W/W
EER	1,62 kCal/W/h
Input Power	710 W
Current	4,52 A

TEST CYCLE CONDITIONS	HBP
Evaporating temp. (T <sub>e</sub> )	7,2 °C
Condensing temp. (T <sub>c</sub> )	55,0 °C
Liquid temp. (T <sub>liq.</sub> )	46,0 °C
Ambient temp. (T <sub>amb.</sub> )	35,0 °C
Suction temp. (T <sub>suction</sub> )	35,0 °C
Voltage/Frequency	200 V 50 Hz

CONDENSER AND FAN DATA	
Condenser type	CU-AL
Condenser model	10T 4R
Fan blade (Ø mm / °)	254 / 34
Fan motor	25W 220-240V 50/60Hz

### WIRING DIAGRAM



REFRIGERATION CAPACITY (W)									
Evaporating Temperature (°C)									
Model	Motor	-25	-15	-5	5	7.2			10
						W	Winp	A	
CGP16TG_N	CSIR	-	595	890	1270	1340	710	4.52	1495

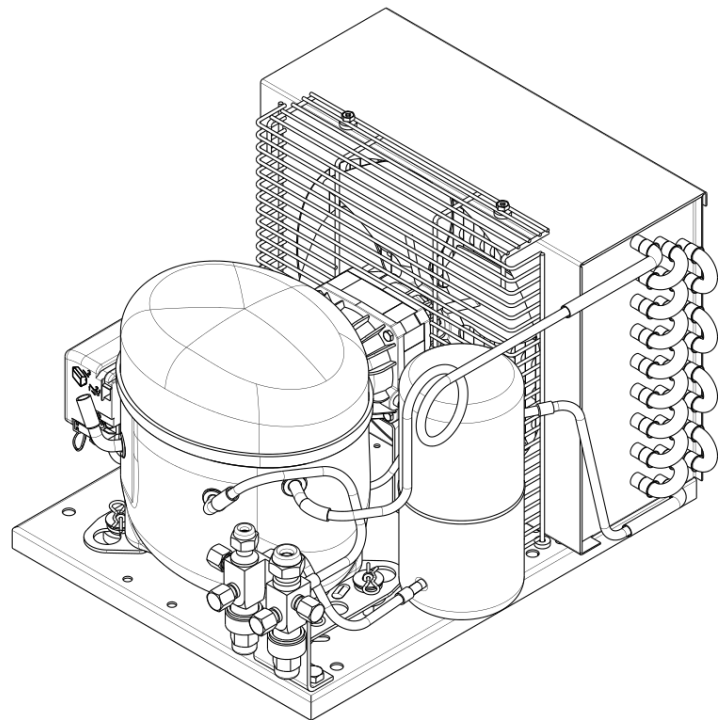
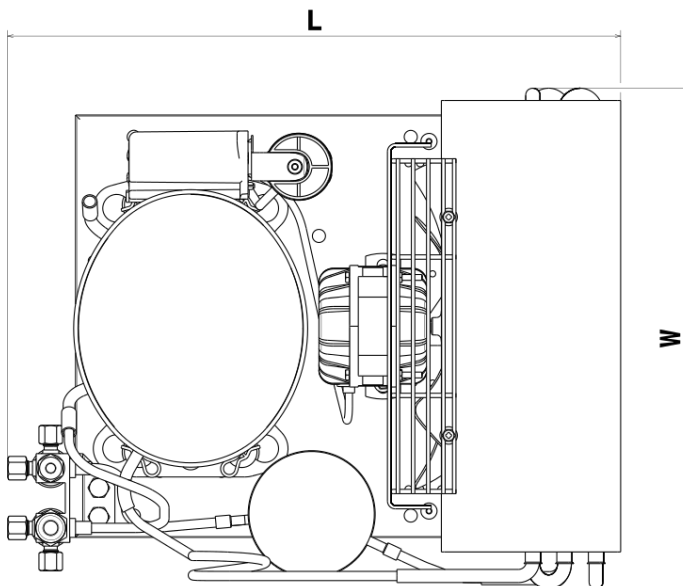
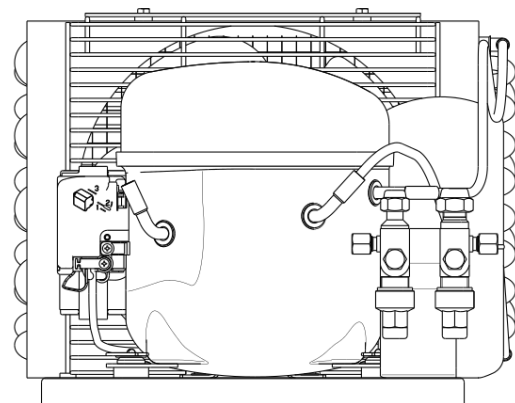
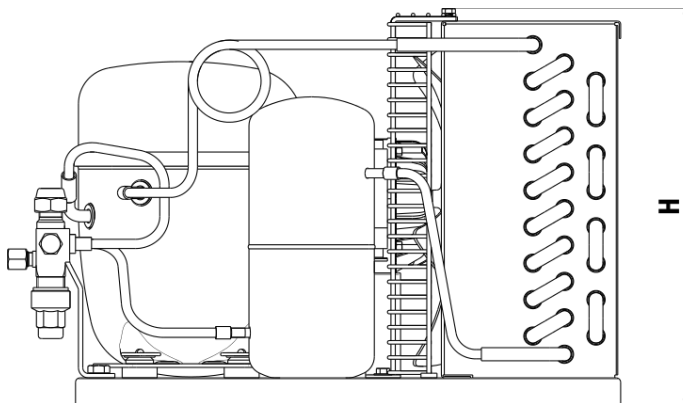
ASHRAE HBP: Condensing temperature: 55°C, Liquid temperature: 46°C, Suction temperature: 35°C, Ambient temperature: 35°C

# Condensing Unit Technical Data Sheet

## VERSIONS

VERSION 1	VERSION 2	VERSION 3	VERSION 3P	VERSION 4
<b>Tube</b>	<b>Service valve</b>	<b>Service valve and receiver</b>	<b>Service valve, receiver, pressure switch</b>	<b>Schrader valve on the service port</b>
Suction tube internal diam.: 8,1 mm Discharge tube internal diam.: 6,5 mm Net Weight: 21,7 Kg	Suction valve: 3/8" Discharge valve: 3/8" Net Weight: 22,2 Kg	Receiver vol.: 1,1 l Suction valve: 3/8" Discharge valve: 3/8" Net Weight: 23,0 Kg	Receiver vol.: 1,1 l Suction valve: 3/8" Discharge valve: 3/8" Net Weight: 24,1 Kg	Suction tube internal diam.: 8,1 mm Discharge tube internal diam.: 6,5 mm Net Weight: 21,7 Kg

## DIMENSIONS (Version 3 drawing)



VERSION 1-4 (WxLxH) (mm)	VERSION 2 (WxLxH) (mm)	VERSION 3 (WxLxH) (mm)	VERSION 3P (WxLxH) (mm)
350x490x300	355x510x300	355x510x300	355x540x300