


MODEL

**EMT2125GK**

**APPROVALS**


**ENGINEERING CODE**  
513306217



**APPROVED REFRIGERANT**  
R-404A


**POWER SUPPLY**  
220-240 V 50 Hz


**STANDARD CONDITIONS**  
ASHRAE


**APPLICATION**  
LBP


**COOLING CAPACITY**  
352 W (LBP)


**EFFICIENCY**  
1.4 W/W (LBP)


**MOTOR TYPE**  
CSIR


**STARTING TORQUE**  
HST
**DATA****General Data**

Type	Hermetic reciprocating
Technology Type	On-Off
Displacement	5,96 cm <sup>3</sup>
Compressor Cooling	Fan/NotControlled/220
Expansion Device	Capillary Tube or Expansion Valve
Horse Power	1/3 hp
Power Supply	220-240 V 50 Hz
Evaporating Temperature Range	-40 °C to -10 °C

**Electrical Data**

Motor type	CSIR
Starting Torque	HST
Start Winding Resistance	19.15 Ω at 25° C
Run Winding Resistance	11.3 Ω at 25° C
Rated Load Amperage (RLA) at 50 Hz	1.35 A

## Mechanical Data

Oil Charge	180 ml
Oil Type Configuration	ESTER
Oil Type Viscosity	ISO22
Weight	7.75 Kg

## Electrical Components

	Description
Starting Device	Relay   MTRP-36*
Motor Protection	T0571/G6
Start Capacitor	64-77 Uf / 330 V

## External Characteristics

Tray Holder	Yes	
Connector	Internal Diameter	Shape
Suction	6.1 mm	Slanted 42° up + 45° to Back/Copper
Discharge	4.94 mm	Slanted parallel BP+24° to Back/Copper
Process	6.1 mm	Slanted 45° up + 45° to Back/Copper

## PERFORMANCE

## Rated Points

Condensing Temperature	Evaporating Temperature	Cooling Capacity	Power Consumption	Current	Gas Flow Rate	Efficiency
54.40°C	-23.30°C	352 W	251 W	1.58 A	8.13 kg/h	1.4 W/W

Test Condition: ASHRAELBP32, Fan/NotControlled/220, Return Gas 32.2°C, Evaporation -23.30°C, Condensing 54.40°C, Ambient 32.2°C, Liquid 32.2°C, Subcooling 22.2K. Data in accordance to EN

12900:2013 and AHRI 540:2015 polynomial equation and uncertainty guidance.

## Performance Curve Data

### Condensing Temperature 35°C

Evaporating Temperature °C	Cooling Capacity W	Power W	Current A	Gas Flow Rate kg/h	Efficiency W/W
-40	177	155	1.29	4.06	1.14
-35	229	175	1.35	5.26	1.31
-30	292	195	1.41	6.75	1.5
-25	369	217	1.48	8.56	1.7
-20	459	239	1.55	10.70	1.92
-15	564	261	1.62	13.22	2.16
-10	683	284	1.7	16.13	2.4

Test Condition: ASHRAELBP32, Fan/NotControlled/220, Return Gas 32.2°C, Ambient 32.2°C, Liquid 32.2°C. Data in accordance to EN 12900:2013 and AHRI 540:2015 polynomial equation and uncertainty guidance.

### Condensing Temperature 45°C

Evaporating Temperature °C	Cooling Capacity W	Power W	Current A	Gas Flow Rate kg/h	Efficiency W/W
-40	163	157	1.29	3.74	1.04
-35	214	180	1.36	4.91	1.19
-30	275	204	1.43	6.35	1.35
-25	350	230	1.51	8.09	1.52
-20	437	257	1.6	10.16	1.7
-15	538	286	1.7	12.59	1.88
-10	654	316	1.8	15.41	2.07

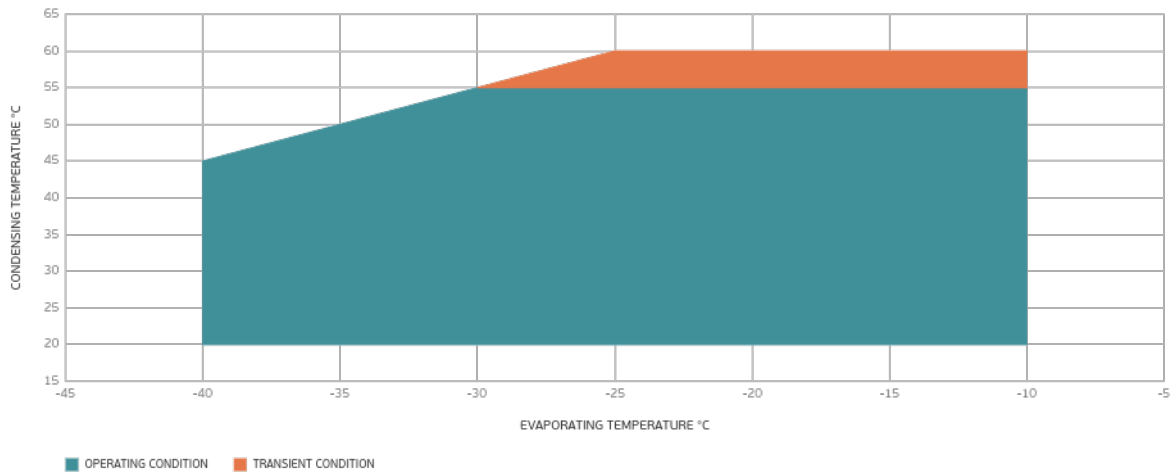
Test Condition: ASHRAELBP32, Fan/NotControlled/220, Return Gas 32.2°C, Ambient 32.2°C, Liquid 32.2°C. Data in accordance to EN 12900:2013 and AHRI 540:2015 polynomial equation and uncertainty guidance.

## Condensing Temperature 55°C

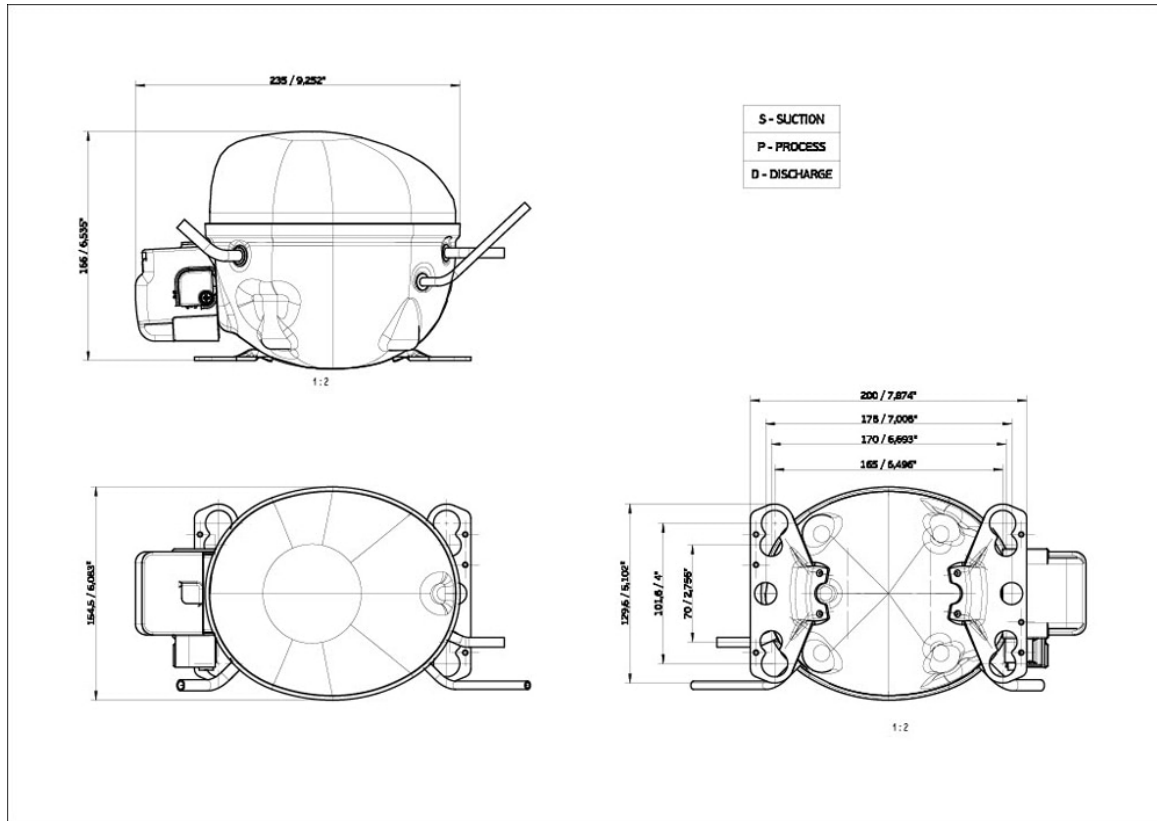
Evaporating Temperature °C	Cooling Capacity W	Power W	Current A	Gas Flow Rate kg/h	Efficiency W/W
-40	144	157	1.29	3.29	0.92
-35	193	182	1.37	4.41	1.06
-30	252	210	1.45	5.80	1.2
-25	324	239	1.55	7.48	1.35
-20	408	271	1.66	9.47	1.5
-15	506	305	1.78	11.82	1.66
-10	618	341	1.91	14.54	1.81

Test Condition: ASHRAELBP32, Fan/NotControlled/220, Return Gas 32.2°C, Ambient 32.2°C, Liquid 32.2°C. Data in accordance to EN 12900:2013 and AHRI 540:2015 polynomial equation and uncertainty guidance.

## Operating Envelope



## External Dimensions



## Wiring Diagram

SM28-4

