

APPROVALS



ENGINEERING CODE
943NA19

APPROVED REFRIGERANT
R-404A

POWER SUPPLY
220-240 V 50 Hz

STANDARD CONDITIONS
ASHRAE

APPLICATION
MBP

COOLING CAPACITY
2284 W (MBP)

EFFICIENCY
1.86 W/W (MBP)

MOTOR TYPE
CSCR

STARTING TORQUE
HST

DATA

General Data

Type	Hermetic reciprocating
Technology Type	On-Off
Displacement	26.11 cm ³
Compressor Cooling	Fan/NotControlled/220
Fan Air Flow	800 m ³ /h
Expansion Device	Capillary Tube or Expansion Valve
Horse Power	1 1/4 hp
Max Condensing Pressure Operating	24.71 bar
Max Condensing Pressure Peak	27.71 bar
Power Supply	220-240 V 50 Hz
Evaporating Temperature Range	-20 °C to 10 °C

Electrical Data

Motor type	CSCR
Starting Torque	HST
Start Winding Resistance	5.4 Ω at 25° C
Run Winding Resistance	1.75 Ω at 25° C

Mechanical Data

Maximum Recommended Refrigerant Charge	800 g
Oil Charge	750 ml
Oil Type Configuration	ESTER
Oil Type Viscosity	ISO22
Pressurization	Dry air charge
Weight	21.6 Kg
Free Internal Volume	3.9 L

Electrical Components

	Description
Start Capacitor	88-108 Uf / 330 V
CSR / CSIR Box	YES
Run Capacitor	30
Starting Device	RVA3H3C-108
Motor Protection	T0809/C9

External Characteristics

Base Plate	Large	
Tray Holder	No	
Height	276 mm	
Connector	Internal Diameter	Shape
Suction	12.7 mm	ROTOLOCK(Ex. thr. 1"-14UNS-2A)/Steel
Discharge	8 mm	Slanted J/Copper
Process	6.42 mm	Vertical/Copper

PERFORMANCE

Rated Points

Condensing Temperature	Evaporating Temperature	Cooling Capacity	Power Consumption	Gas Flow Rate	Efficiency
54.40°C	-6.70°C	2284 W	1227 W	62.43 kg/h	1.86 W/W

Test Condition: ASHRAEMBP46, Fan/NotControlled/220, Return Gas 35°C, Evaporation -6.70°C, Condensing 54.40°C, Ambient 35°C, Liquid 46.1°C, Subcooling 8.3K. Data are an indication of performance based simulation.

Performance Curve Data

Condensing Temperature 35°C

Evaporating Temperature °C	Cooling Capacity W	Power W	Gas Flow Rate kg/h	Efficiency W/W
-20	1691	866	36.73	1.95
-15	2175	954	47.51	2.28
-10	2755	1035	60.55	2.66
-5	3440	1111	76.17	3.1
0	4238	1180	94.65	3.59
5	5154	1244	116.31	4.14
10	6198	1303	141.43	4.76

Test Condition: ASHRAEMB46, Fan/NotControlled/220, Return Gas 35°C, Ambient 35°C, Subcooling 8.3K. Data are an indication of performance based simulation.

Condensing Temperature 45°C

Evaporating Temperature °C	Cooling Capacity W	Power W	Gas Flow Rate kg/h	Efficiency W/W
-20	1421	869	34.08	1.64
-15	1846	981	44.55	1.88
-10	2355	1089	57.22	2.16
-5	2955	1193	72.39	2.48
0	3653	1291	90.34	2.83
5	4456	1386	111.39	3.22
10	5373	1476	135.84	3.64

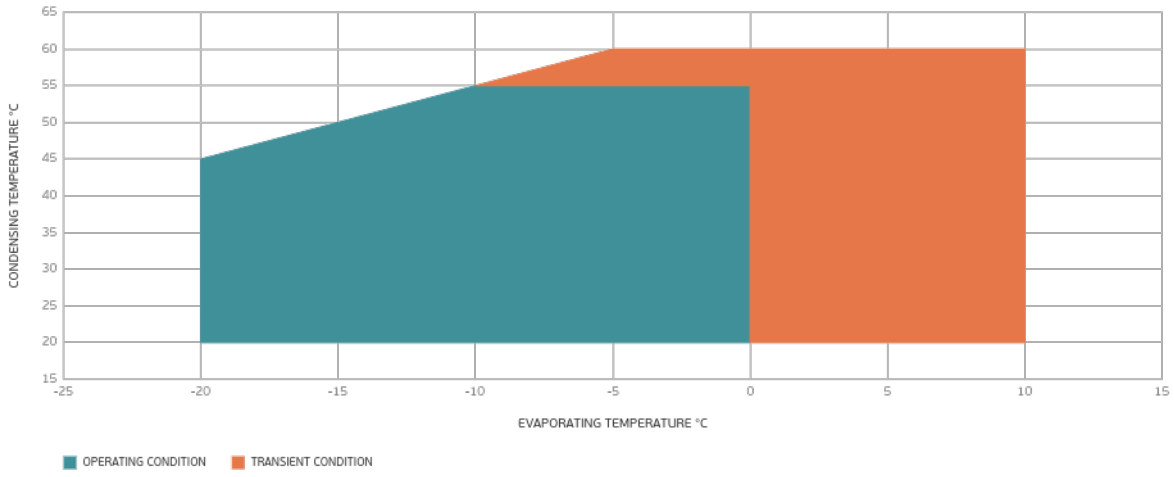
Test Condition: ASHRAEMB46, Fan/NotControlled/220, Return Gas 35°C, Ambient 35°C, Subcooling 8.3K. Data are an indication of performance based simulation.

Condensing Temperature 55°C

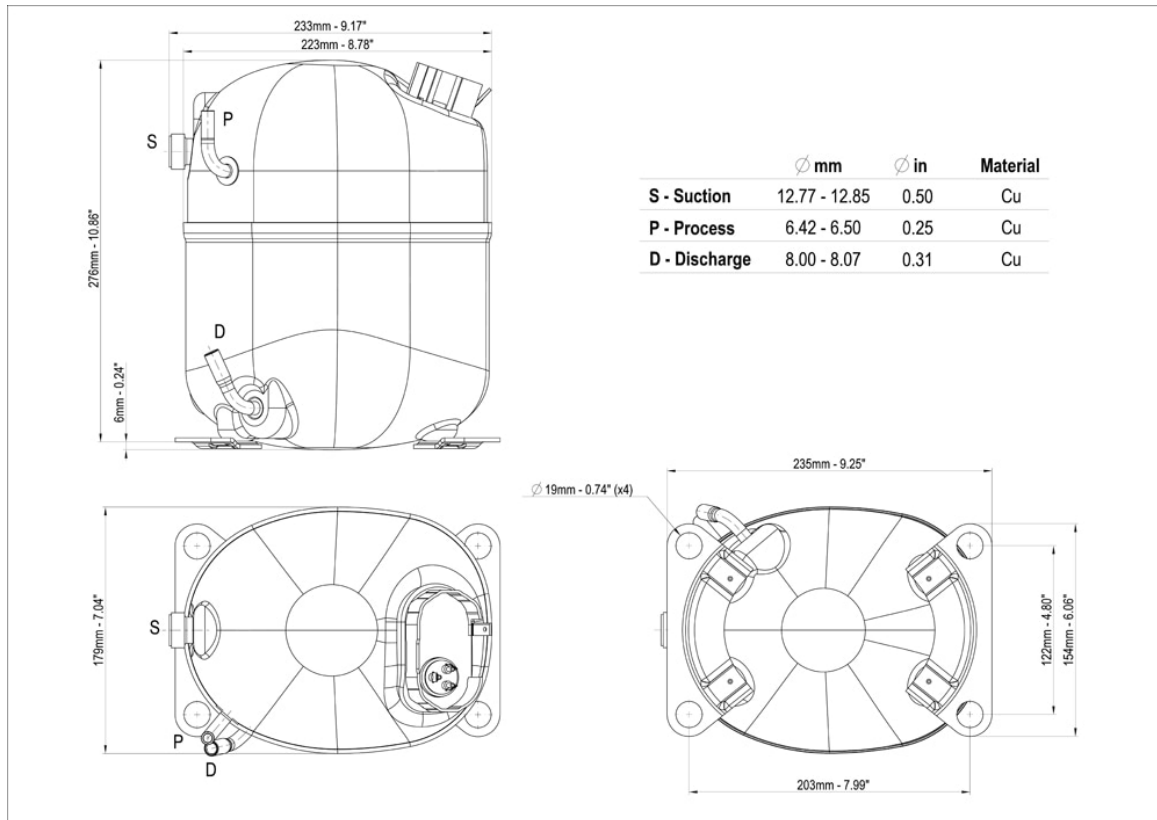
Evaporating Temperature °C	Cooling Capacity W	Power W	Gas Flow Rate kg/h	Efficiency W/W
-10	1932	1145	52.82	1.69
-5	2447	1274	67.52	1.92
0	3045	1400	84.93	2.17
5	3735	1524	105.35	2.45
10	4526	1644	129.09	2.75

Test Condition: ASHRAEMB46, Fan/NotControlled/220, Return Gas 35°C, Ambient 35°C, Subcooling 8.3K. Data are an indication of performance based simulation.

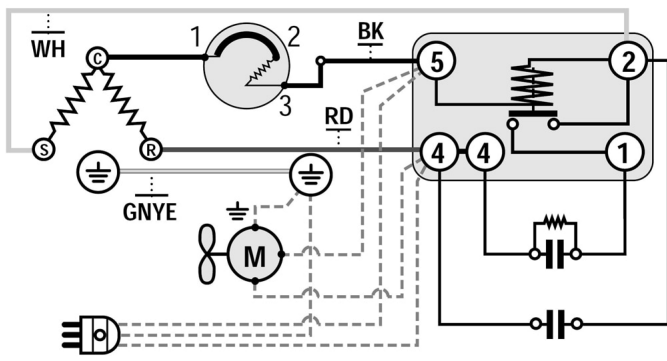
Operating Envelope



External Dimensions



Wiring Diagram



Assembly Instructions

