


APPROVALS




 **ENGINEERING CODE**
503BA0604AA

 **APPROVED REFRIGERANT**
R290

 **POWER SUPPLY**
220 - 240V 50Hz ~

 **STANDARD CONDITIONS**
ASHRAE

 **APPLICATION**
LBP

 **COOLING CAPACITY**
1246 W

 **EFFICIENCY**
1.49 W/W

DATA

General Data

Weight	16.8 Kg
Receiver	2.3 L
Height	324 mm
Length	494 mm
Width	395 mm
Power Supply	220 - 240 V 50 Hz

Electrical Data

Motor Type	CSR
Locked Rotor Amperage (LRA)	33 A
Max Current	4.78 A

Spare Parts

Condenser	3R12T	2451140
Valve Suction	SOLDER 1/2"	2110050
Valve Discharge	SOLDER 3/8"	2110049
Compressor	NT2210U	843BA08..AC
Fan Kit	IQ3620 275/31/5B	1996704
Electrical Kit	ELKOM NT2210U	843BA0204A

Fan Motor

Number	1
Shaft Power	-
Air Flow	800 m ³ /h
Blade diameter	275 mm

PERFORMANCE

Rated Points

Ambient Temperature	Cooling Capacity	Power Consumption	Current	Efficiency
32.00°C	1246 W	838 W	4.51 A	1.49 W/W

Test Condition ASHRAE: Evaporating temp. -23.30°C, Ambient temp. 32.00°C, Return Gas 32 °C, Subcooling 3K

Performance Curve Data

Ambient Temperature 25°C

Evaporating Temperature °C	Cooling Capacity W	Power Consumption W	Current A	Efficiency W/W
-40	632	519	3.26	1.22
-30	1015	685	3.87	1.48
-25	1276	780	4.25	1.64
-23	1374	814	4.39	1.69
-20	1577	885	4.68	1.78
-15	1916	1002	5.17	1.91
-10	2290	1134	5.74	2.02

Test Condition ASHRAE: Evaporating temp. -23.30°C, Ambient temp. 25.00°C, Return Gas 32 °C, Subcooling 3K

Ambient Temperature 32°C

Evaporating Temperature °C	Cooling Capacity W	Power Consumption W	Current A	Efficiency W/W
-40	583	539	3.39	1.08
-30	922	706	3.99	1.31
-25	1157	802	4.37	1.44
-23	1246	838	4.51	1.49
-20	1431	911	4.81	1.57
-15	1741	1032	5.33	1.69
-10	2084	1170	5.92	1.78

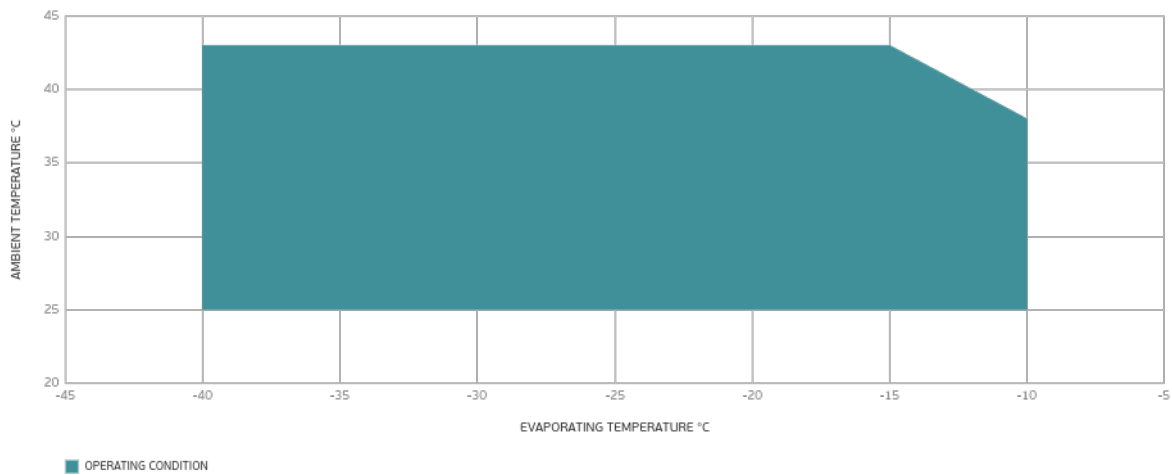
Test Condition ASHRAE: Evaporating temp. -23.30°C, Ambient temp. 32.00°C, Return Gas 32 °C, Subcooling 3K

Ambient Temperature 43°C

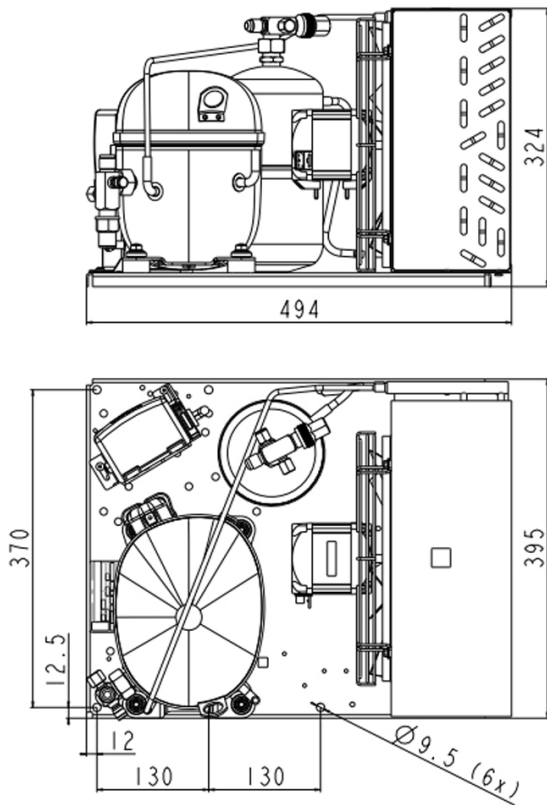
Evaporating Temperature °C	Cooling Capacity W	Power Consumption W	Current A	Efficiency W/W
-40	499	573	3.59	0.87
-30	782	747	4.22	1.05
-25	984	851	4.63	1.16
-23	1061	889	4.79	1.19
-20	1222	969	5.12	1.26
-15	1492	1102	5.69	1.35
-10	1791	1252	6.34	1.43

Test Condition ASHRAE: Evaporating temp. -23.30°C, Ambient temp. 43.00°C, Return Gas 32 °C, Subcooling 3K

Operating Envelope



External Dimensions



Wiring Diagram

