



APPROVALS




 **ENGINEERING CODE**
556FA5312AA

 **APPROVED REFRIGERANT**
R134a

 **POWER SUPPLY**
220 - 240V 50Hz ~

 **STANDARD CONDITIONS**
ASHRAE

 **APPLICATION**
LBP

 **COOLING CAPACITY**
214 W

 **EFFICIENCY**
1.4 W/W

DATA

General Data

Weight	16.5 Kg
Height	226 mm
Length	431 mm
Width	290 mm
Power Supply	220 - 240 V 50 Hz

Electrical Data

Motor Type	CSIR
Locked Rotor Amperage (LRA)	10 A
Max Current	1.37 A

Spare Parts

Compressor	NEK2116Z	267FA42..AN
Condenser	2R8T	2451207
Fan Kit	IQ3612 200/28/5B	1996701
Electrical Kit	ELKOM NEK2116Z	267FA42N1A

Fan Motor

Number	1
Shaft Power	10 W
Air Flow	360 m ³ /h
Blade diameter	200 mm

PERFORMANCE

Rated Points

Ambient Temperature	Cooling Capacity	Power Consumption	Current	Efficiency
32.00°C	214 W	152 W	1.13 A	1.4 W/W

Test Condition ASHRAE: Evaporating temp. -23.30°C, Ambient temp. 32.00°C, Return Gas 32 °C, Subcooling 3K

Performance Curve Data

Ambient Temperature 25°C

Evaporating Temperature °C	Cooling Capacity W	Power Consumption W	Current A	Efficiency W/W
-30	164	129	1.08	1.28
-25	216	144	1.12	1.5
-23	236	150	1.14	1.58
-20	277	161	1.17	1.72
-15	347	181	1.23	1.92
-10	426	202	1.3	2.12
-5	516	225	1.38	2.29

Test Condition ASHRAE: Evaporating temp. -23.30°C, Ambient temp. 25.00°C, Return Gas 32 °C, Subcooling 3K

Ambient Temperature 32°C

Evaporating Temperature °C	Cooling Capacity W	Power Consumption W	Current A	Efficiency W/W
-30	149	129	1.07	1.15
-25	196	146	1.12	1.34
-23	214	152	1.13	1.4
-20	251	165	1.17	1.52
-15	314	186	1.24	1.69
-10	386	209	1.31	1.85
-5	467	234	1.41	1.99

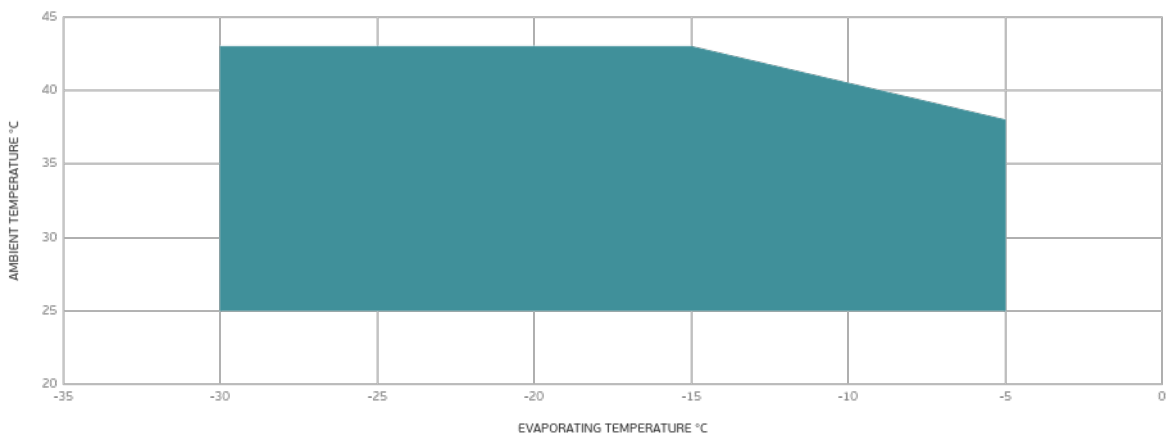
Test Condition ASHRAE: Evaporating temp. -23.30°C, Ambient temp. 32.00°C, Return Gas 32 °C, Subcooling 3K

Ambient Temperature 43°C

Evaporating Temperature °C	Cooling Capacity W	Power Consumption W	Current A	Efficiency W/W
-30	118	128	1.07	0.92
-25	159	147	1.12	1.08
-23	175	154	1.14	1.13
-20	208	169	1.18	1.23
-15	264	194	1.26	1.36

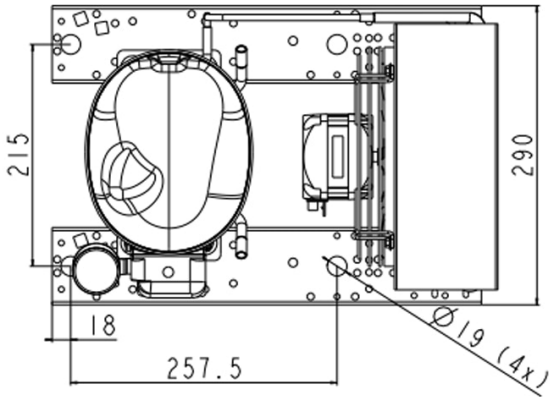
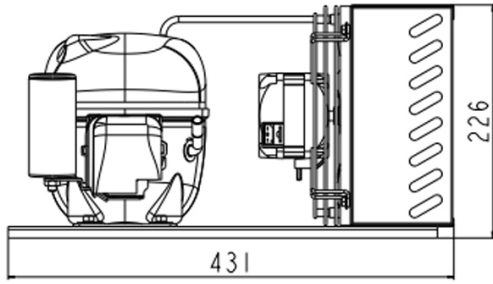
Test Condition ASHRAE: Evaporating temp. -23.30°C, Ambient temp. 43.00°C, Return Gas 32 °C, Subcooling 3K

Operating Envelope



■ OPERATING CONDITION

External Dimensions



Wiring Diagram

